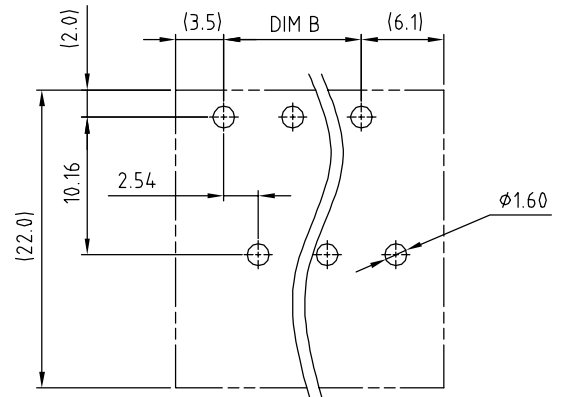
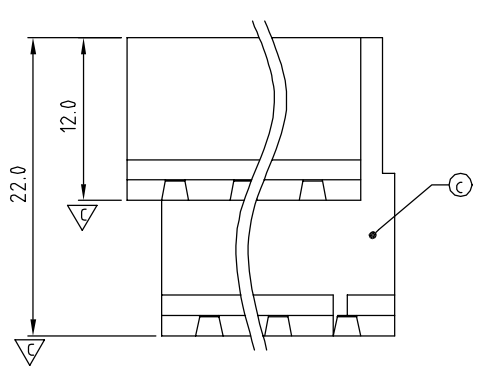
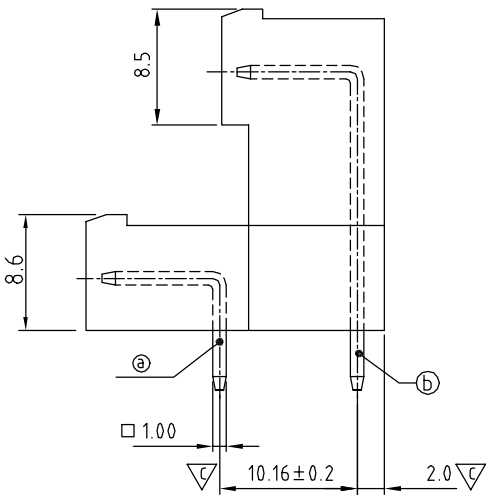
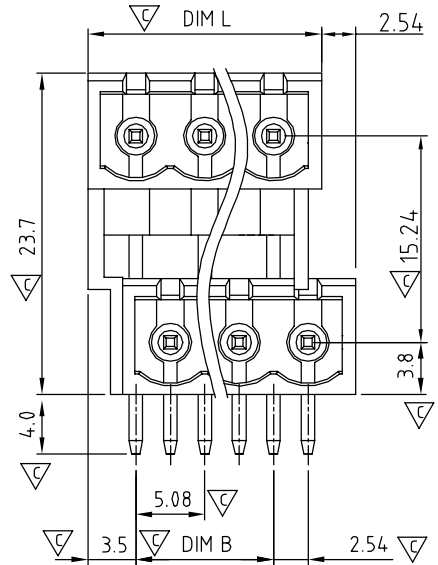


SIGN	DATE	DESCRIPTION	APPROVER
△	01/31'13	update the drawing	Dacheng
THIS IS CAD DRAWING, DO NOT REVISE MANUALLY!!!			



PCB LAYOUT
Top view △



- △ Material
- Item (a) Short male Contact pin: Copper ,Tin plated
 - Item (b) Long male Contact pin: Copper ,Tin plated
 - Item (c) Terminal (housing): Thermoplastic (UL94V-0)
- Electrical
- Voltage rating: 300VAC
 - △ ● Current rating: 10A
 - Withstanding Voltage: 1.6KV
 - Operating temperature: -40°C to +115°C
 - △ ● Soldering temperature: 260°C±5°C/5 Sec
 - △ ● Safety Approval: us
 - Critical dimension: △

VF xx 51 x 1 xxxx G

No. OF POLES ———— G RoHS compliant (lead<4%) In copper Alloy

04: 2×2 POLES
06: 2×3 POLES
48: 2×24 POLES

Color

0 Black (RAL9005)
2 Red (RAL3001/D)
3 Orange(RAL2011/P)
4 Yellow(RAL1018/A)
5 Green(RAL6018/T)
6 Blue(RAL5015/A)
8 Grey(RAL7035/D)

000A Standard ANY Logo
Any special item by customer request, please contact sales department.

△ N=NUMBER OF CONTACTS

Dimension	TOL				
	2×2P-2×5P	2×6P-2×10P	2×11P-2×15P	2×16P-2×20P	2×21P-2×24P
Dim L (N/2-1)×5.08+7.08	±0.15	±0.20	±0.25	±0.30	±0.35
Dim B (N/2-1)×5.08	±0.15	±0.20	±0.25	±0.30	±0.35

ANYTEK				CUSTOMER COPY		
ALL RIGHTS RESERVED. REPRODUCTION OR ISSUE TO THIRD PARTIES IN ANY FORM WHATEVER IS NOT PERMITTED WITHOUT WRITTEN AUTHORITY FROM THE PROPRIETOR. PROPERTY OF ANYTEK TECHNOLOGY CO., LTD						
TITLE	VF-5.08 Series Right angle Close type					
PART NO.	VFxx51x1xxxxG			DWG NO.	8VF0105	
APPROVED	CHECKED	DESIGNED	DRAWN	CUST NO.	Tolerance	
		Dacheng 2013.01.31	Dacheng 2013.01.31		X. ±0.50	
					UNIT: mm	X.X ±0.30
					SCALE: NONE	X.XX ±0.10
				SHEET: 01/01	REV.: C	
					X° ±1°	