



SIGN	DATE	DESCRIPTION	APPROVER
△	2009.09.28	The design is changed from the round hole to hexagonal hole.	Jacke
△	2009.09.28	The current rating is changed from 15A to 10A	Jacke
△	2009.09.28	Add UL standard	Jacke
△	2012.04.17	Flange nut is changed	Chen Bo
△	2012.04.17	The dimension C & D & 1.0 are added	Chen Bo

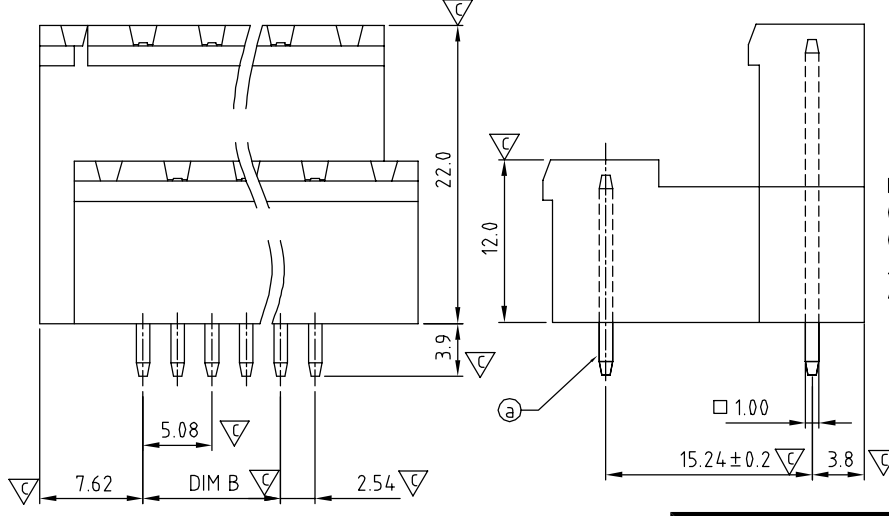
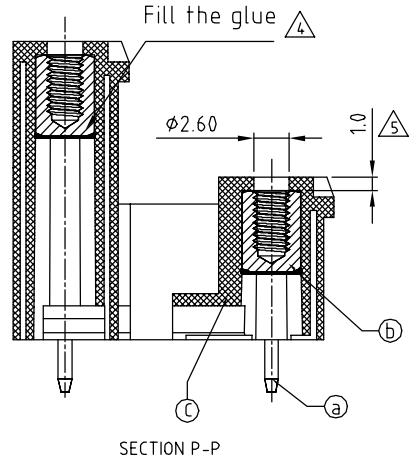
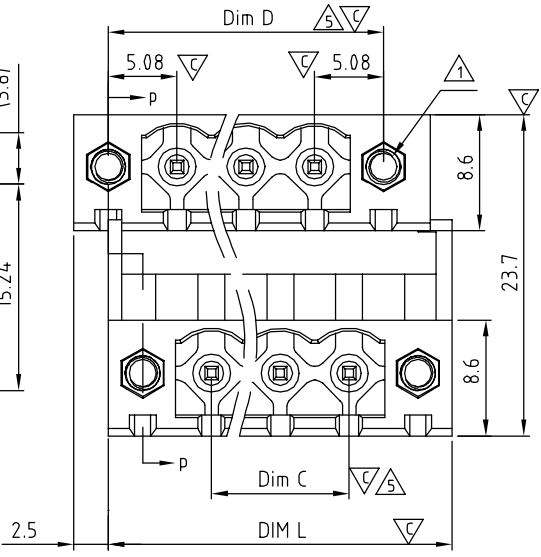
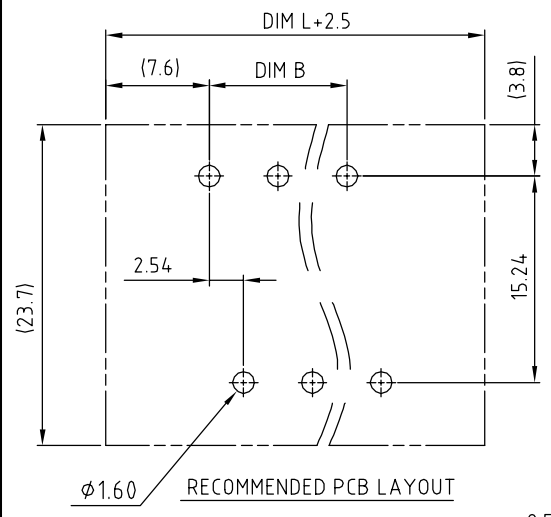
THIS IS CAD DRAWING, DO NOT REVISE MANUALLY!!!

**Material**

- Item (a) Male contact pin: Copper, Tin plated
- Item (b) With flange nut: brass M2.5
- Item (c) Terminal(housing): Thermoplastic (UL94V-0)

**Electrical**

- Voltage rating: 300VAC
- Current rating: 10A
- Withstanding Voltage: 1.6KV
- Operating temperature: -40°C to +115°C
- Soldering temperature: 250°C±10°C/5 Sec
- Safety Approval: 
- Critical dimension: 



**VF xx 52 x 0 xxxx G**

Poles  
 04 2x2Poles  
 06 2x3Poles  
 ...  
 48 2x24Poles

Color  
 0 Black (RAL9005)  
 2 Red (RAL3001/D)  
 3 Orange (RAL2011/P)  
 4 Yellow (RAL1018/A)  
 5 Green (RAL6018/T)  
 6 Blue (RAL5015/A)  
 8 Grey (RAL7035/D)

RoHS compliant (lead<4%)  
 In copper Alloy

0000 Standard @ Logo  
 000A Standard ANY Logo  
 Any special item by customer request, please contact sales department.

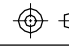
N=NUMBER OF CONTACTS

Dimension	TOL					
	2x2P-2x5P	2x6P-2x10P	2x11P-2x15P	2x16P-2x20P	2x21P-2x24P	
Dim L	(N/2+2)×5.08	±0.15	±0.20	±0.25	±0.30	±0.35
Dim B	(N/2-1)×5.08	±0.15	±0.20	±0.25	±0.30	±0.35
Dim C	(N/2-1)×5.08	±0.15	±0.20	±0.25	±0.30	±0.35
Dim D	(N/2-1)×5.08+10.16	±0.15	±0.20	±0.25	±0.30	±0.35

ANYTEK

CUSTOMER COPY

ALL RIGHTS RESERVED. REPRODUCTION OR ISSUE TO THIRD PARTIES IN ANY FORM WHATSOEVER IS NOT PERMITTED WITHOUT WRITTEN AUTHORITY FROM THE PROPRIETOR. PROPERTY OF ANYTEK TECHNOLOGY CO., LTD

TITLE		VF-5.08 Series Vertical W/Flange			
PART NO.		VFxx52x0xxxxG		DWG NO. 8VF0102	
APPROVED	CHECKED	DESIGNED	DRAWN	CUST NO.	
		Chen Bo 04/17'12	Chen Bo 04/17'12		
					
				UNIT: mm SCALE: NONE SHEET: 01/01 REV.: D	
				Tolerance X. ±0.50 X.X ±0.30 X.XX ±0.10 X° ±1°	