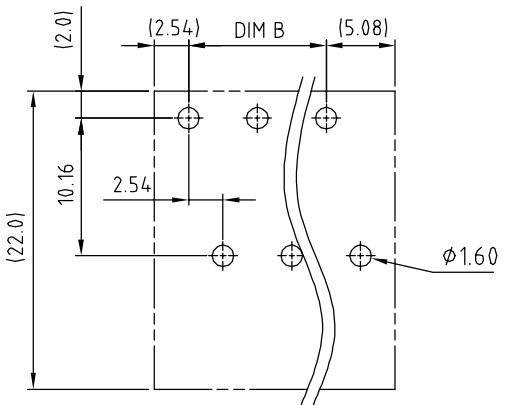
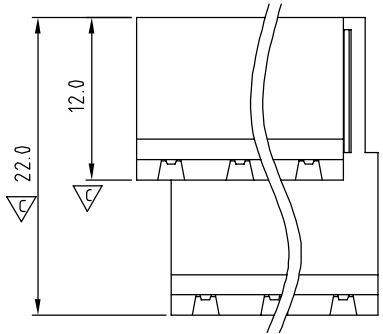
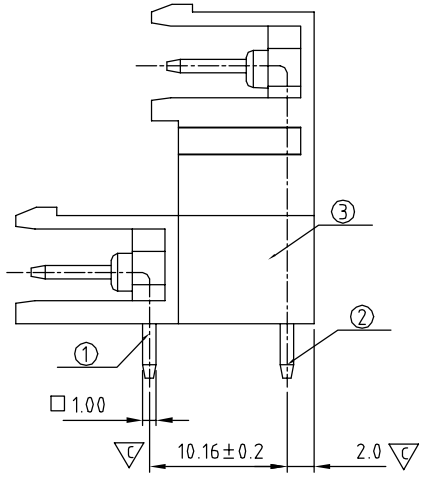
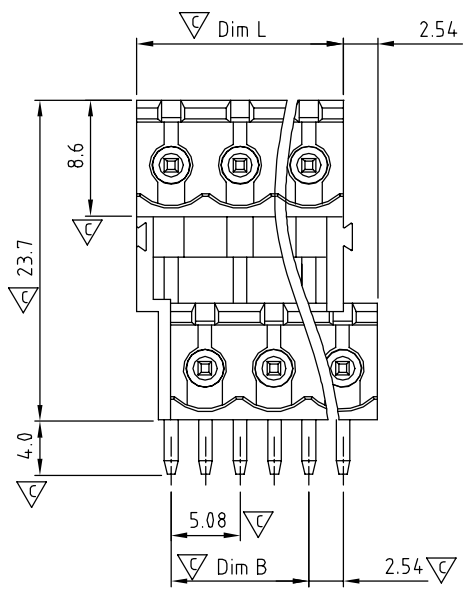


SIGN	DATE	DESCRIPTION	APPROVER
△	01/31'13	update the drawing	Dacheng
THIS IS CAD DRAWING, DO NOT REVISE MANUALLY!!!			



PCB LAYOUT
Top view



△ Material

- Item① Short male Contact pin: Copper ,Tin plated
- Item② Long male Contact pin: Copper ,Tin plated
- Item③ Terminal (housing): Thermoplastic (UL94V-0)

Electrical

- Voltage rating: 300VAC
- △ ● Current rating: 10A
- Withstanding Voltage: 1.6KV
- Operating temperature: -40°C to +115°C
- △ ● Soldering temperature: 260°C±5°C/5 Sec
- △ ● Safety Approval: us
- Critical dimension: ▽

VF xx 50 x 1 xxxx G

- No. OF POLES
- 04: 2x2 POLES
 - 06: 2x3 POLES
 - 48: 2x24 POLES
- Color
- 0 Black (RAL9005)
 - 2 Red (RAL3001/D)
 - 3 Orange(RAL2011/P)
 - 4 Yellow(RAL1018/A)
 - 5 Green(RAL6018/T)
 - 6 Blue (RAL5015/A)
 - 8 Grey(RAL7035/D)
- G RoHS compliant (lead<4%)
In copper Alloy
- 0000 Standard @ Logo
 - 000A Standard ANY Logo
- Any special item by customer request, please contact sales department.

△ N=NUMBER OF CONTACTS

Dimension	TOL					
	2x2P-2x5P	2x6P-2x10P	2x11P-2x15P	2x16P-2x20P	2x21P-2x24P	
Dim L	N/2x5.08	±0.15	±0.20	±0.25	±0.30	±0.35
Dim B	(N/2-1)x5.08	±0.15	±0.20	±0.25	±0.30	±0.35

ANYTEK				CUSTOMER COPY											
ALL RIGHTS RESERVED. REPRODUCTION OR ISSUE TO THIRD PARTIES IN ANY FORM WHATEVER IS NOT PERMITTED WITHOUT WRITTEN AUTHORITY FROM THE PROPRIETOR. PROPERTY OF ANYTEK TECHNOLOGY CO., LTD															
TITLE		VF-5.08 Series Right angle Open type													
PART NO.		VFxx50x1xxxxG			DWG NO.		8VF0103								
APPROVED		DESIGNED	DRAWN	CUST NO.		Tolerance									
		Dacheng 2013.01.31	Dacheng 2013.01.31			<table border="1"> <tr><td>X.</td><td>±0.50</td></tr> <tr><td>X.X</td><td>±0.30</td></tr> <tr><td>X.XX</td><td>±0.10</td></tr> <tr><td>X°</td><td>±1°</td></tr> </table>		X.	±0.50	X.X	±0.30	X.XX	±0.10	X°	±1°
X.	±0.50														
X.X	±0.30														
X.XX	±0.10														
X°	±1°														
				SHEET: 01/01		REV.: C									