


SIGN	DATE	DESCRIPTION	APPROVER
△	2011.08.24	The dimension are added	Aaron
△	2012.04.17	Add the cutaway view	Chen Bo

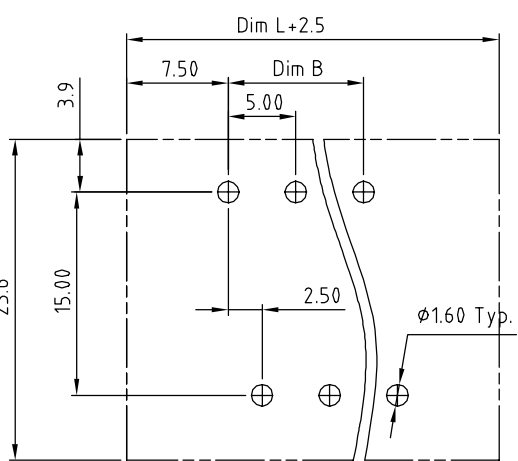
THIS IS CAD DRAWING, DO NOT REVISE MANUALLY!!!

Material

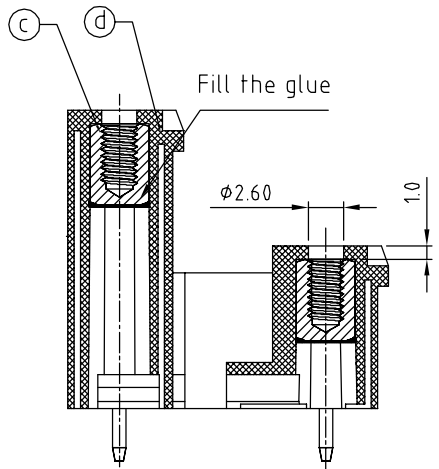
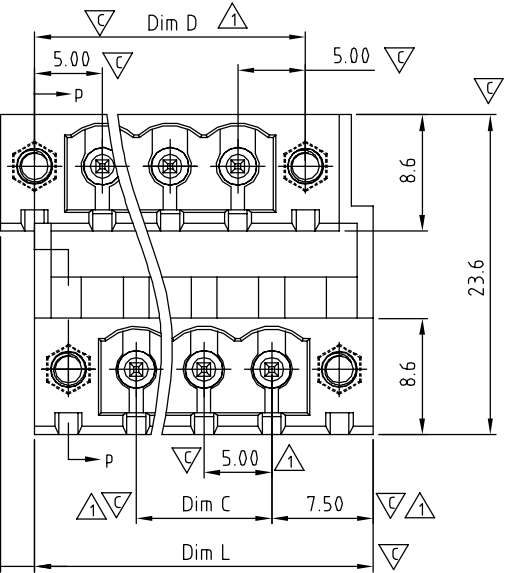
- Item (a) Short male Contact pin: Copper ,Tin plated
- Item (b) Long male Contact pin: Copper ,Tin plated
- Item (c) With flange nut: brass M2.5
- Item (d) Terminal (housing): Thermoplastic (UL94V-0)

Electrical

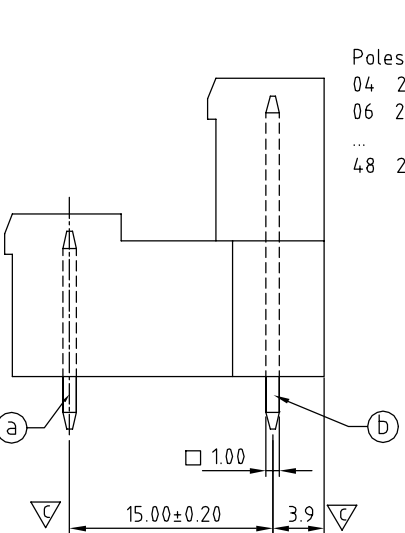
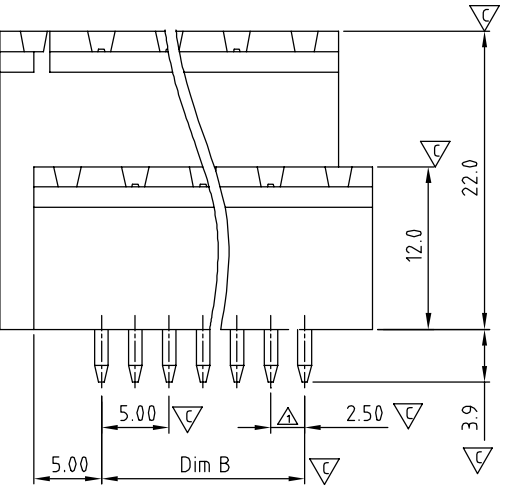
- Voltage rating: 300VAC
- Current rating: 10A
- Withstanding Voltage: 1.6KV
- Operating temperature: -40°C to +115°C
- Soldering temperature: 250°C±10°C/5 Sec
- Safety Approval: us
- Critical dimension: ▽



RECOMMENDED PCB LAYOUT



SECTION P-P



VF xx 72 x 0 xxxx G

- Poles
- 04 2x2Poles
 - 06 2x3Poles
 - ...
 - 48 2x24Poles
- Color
- 0 Black (RAL9005)
 - 2 Red (RAL3001/D)
 - 3 Orange(RAL2011/P)
 - 4 Yellow(RAL1018/A)
 - 5 Green(RAL6018/T)
 - 6 Blue (RAL5015/A)
 - 8 Grey(RAL7035/D)
- RoHS compliant (lead<4%) In copper Alloy
- 0000 Standard @ Logo
000A Standard ANY Logo
Any special item by customer request, please contact sales department.

N=NUMBER OF CONTACTS

Dimension	TOL					
	2x2P-2x5P	2x6P-2x10P	2x11P-2x15P	2x16P-2x20P	2x21P-2x24P	
Dim L	(N/2+2)×5.0	±0.15	±0.20	±0.25	±0.30	±0.40
Dim B	(N/2-1)×5.0	±0.15	±0.20	±0.25	±0.30	±0.40
Dim C	(N/2-1)×5.0	±0.15	±0.20	±0.25	±0.30	±0.40
Dim D	(N/2-1)×5.0+10.0	±0.15	±0.20	±0.25	±0.30	±0.40

ANYTEK				CUSTOMER COPY			
ALL RIGHTS RESERVED. REPRODUCTION OR ISSUE TO THIRD PARTIES IN ANY FORM WHATSOEVER IS NOT PERMITTED WITHOUT WRITTEN AUTHORITY FROM THE PROPRIETOR. PROPERTY OF ANYTEK TECHNOLOGY CO., LTD							
TITLE		VF-5.00 Series 2x2P-2x24P (With flange) Vertical					
PART NO.		VFxx72x0xxxxG			DWG NO.		8VF0002
APPROVED		DESIGNED	DRAWN	CUST NO.		Tolerance	
		Chen Bo	Chen Bo			X. ±0.50	
		04/17 12	04/17 12			X.X ±0.30	
				SHEET: 01/01		X.XX ±0.10	
						X° ±1°	