

SIGN	DATE	DESCRIPTION	APPROVER
△	2011.08.24	The dimension is changed from 15.24mm to 15.00±0.20mm	Aaron
△	2011.08.24	The dimension are added	Aaron
△	2011.08.24	The dimension is changed from 23.7mm to 23.6mm	Aaron
△	2011.08.24	The dimension is changed from 15.24mm to 15.00mm	Aaron

*THIS IS CAD DRAWING, DO NOT REVISE MANUALLY!!!*

**Material**

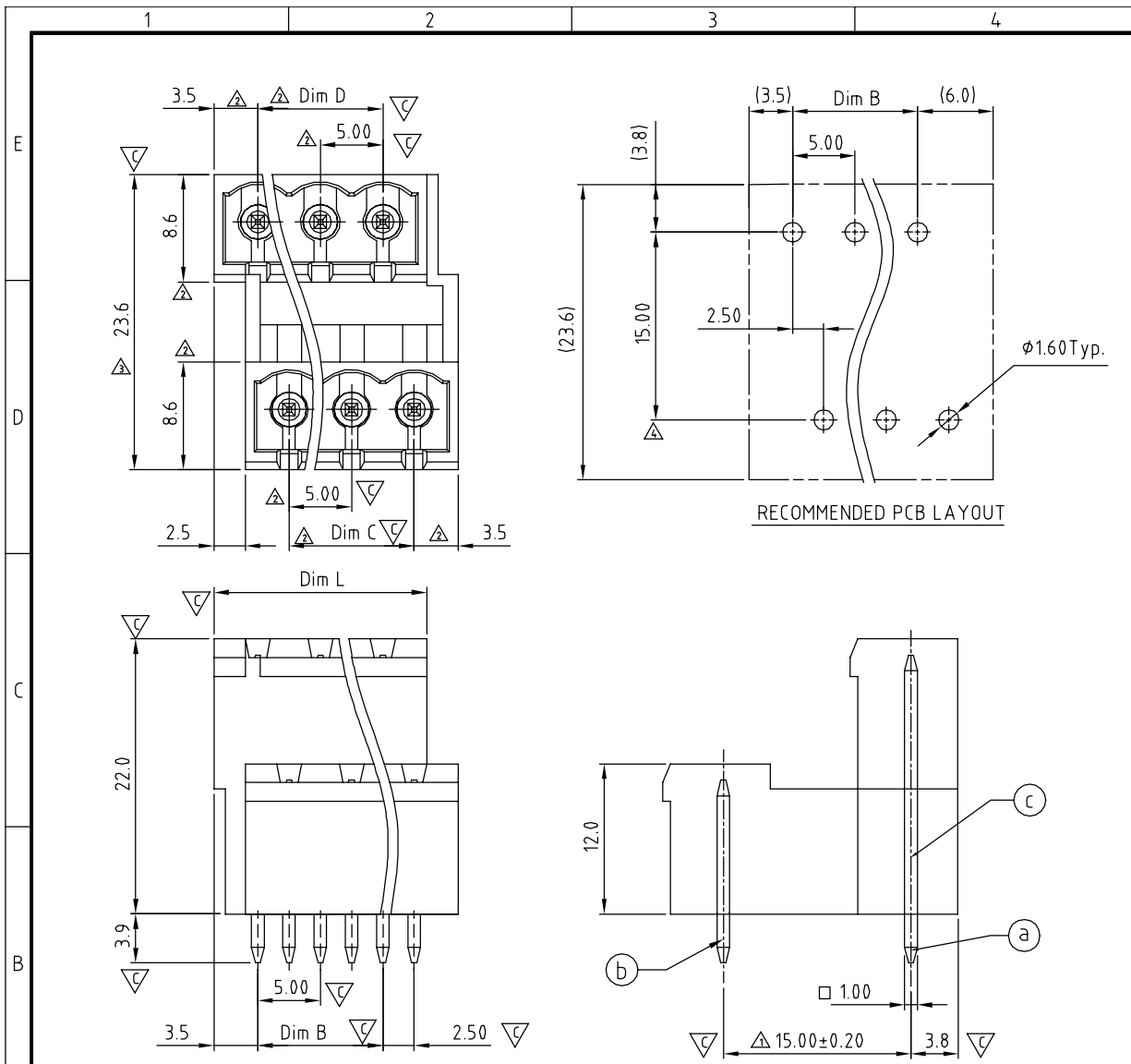
- Item ① Short male Contact pin: Copper ,Tin plated
- Item ② Long male Contact pin: Copper ,Tin plated
- Item ③ Terminal (housing): Thermoplastic (UL94 V-0)

**Electrical**

- Voltage rating: 300VAC
- Current rating: 10A
- Withstanding Voltage: 1.6KV
- Operating temperature: -40°C to +115°C
- Soldering temperature: 250°C±10°C/5 Sec
- Safety Approval: us
- Critical dimension: ▽

**VF xx 71 x 0 xxxx G**

Poles	↓	RoHS
04 2x2Poles		Pb<40,000ppm
06 2x3Poles		0000 Standard @ Logo
... ..	↓	000A Standard ANY Logo
48 2x24Poles	Color	Any special item by customer request, please contact sales department.
	0 Black (RAL9005)	
	2 Red (RAL3001/D)	
	3 Orange(RAL2011/P)	
	4 Yellow(RAL1018/A)	
	5 Green(RAL6018/T)	
	6 Blue (RAL5015/A)	
	8 Grey(RAL7035/D)	
	9 White(RAL1102)	
	C Green(RAL6018/U)	



N=NUMBER OF CONTACTS

Dimension	TOL					
	2x2P-2x5P	2x6P-2x10P	2x11P-2x15P	2x16P-2x20P	2x21P-2x24P	
Dim L	N/2×5.0+2.0	±0.15	±0.20	±0.25	±0.30	±0.35
Dim B	(N/2-1)×5.0	±0.15	±0.20	±0.25	±0.30	±0.35
Dim C	(N/2-1)×5.0	±0.15	±0.20	±0.25	±0.30	±0.35
Dim D	(N/2-1)×5.0	±0.15	±0.20	±0.25	±0.30	±0.35

<b>ANYTEK</b>				<b>CUSTOMER COPY</b>			
ALL RIGHTS RESERVED. REPRODUCTION OR ISSUE TO THIRD PARTIES IN ANY FORM WHATSOEVER IS NOT PERMITTED WITHOUT WRITTEN AUTHORITY FROM THE PROPRIETOR. PROPERTY OF ANYTEK TECHNOLOGY CO., LTD							
TITLE		VF-5.0 Series 2x2P-2x24P ( Close ) Vertical					
PART NO.		VFxx71x0xxxxG			DWG NO.		8VF0006
APPROVED		CHECKED		DESIGNED		DRAWN	
		Aaron 2011.08.24		Chen Bo 2011.02.21		CUST NO.	
						Tolerance	
						X. ±0.50	
						X.X ±0.30	
						X.XX ±0.10	
						X° ±1°	
						UNIT: mm	
						SCALE: NONE	
						SHEET: 01/01	
						REV.: C	