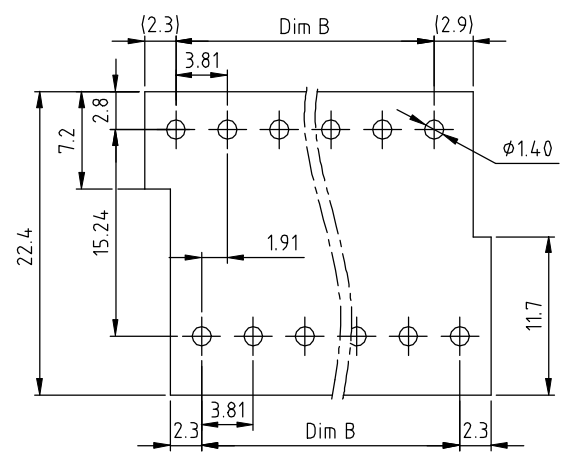
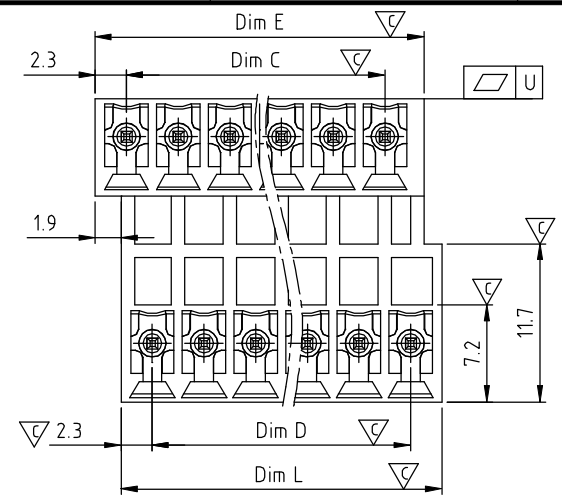
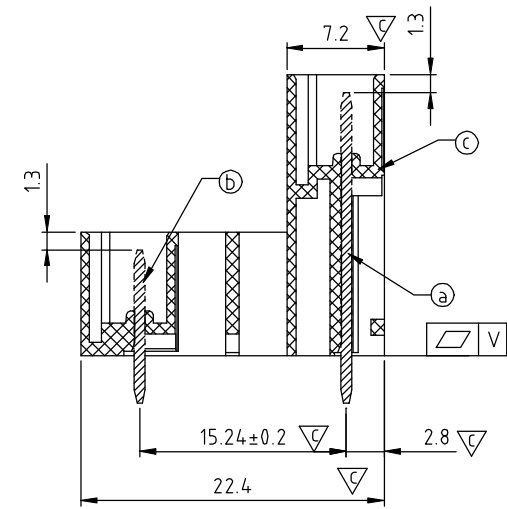
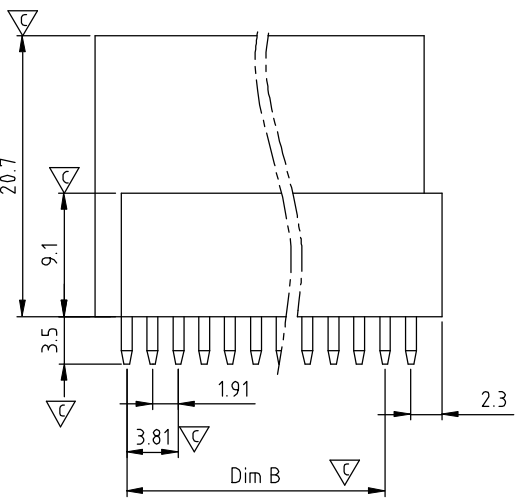


SIGN	DATE	DESCRIPTION	APPROVER
△			

*THIS IS CAD DRAWING, DO NOT REVISE MANUALLY!!!*



**RECOMMENDED PCB LAYOUT  
TOP VIEW**



- Material**
- Item (a) Long contact pin: Copper, Tin plated
  - Item (b) Short contact pin: Copper, Tin plated
  - Item (c) Terminal (housing): Thermoplastic (UL94V-0)
- Electrical**
- Voltage rating: 300VAC
  - Current rating: 10A
  - Withstanding Voltage: 1.6KV
  - Operating temperature: -40°C to +115°C
  - Soldering temperature: 260°C±5°C/5 Sec
  - Safety Approval: us
  - Critical dimension:

**VF xx 3 1 x 0 xxxx G**

- No. OF POLES
- 34: 2x17 POLES
  - 38: 2x19 POLES
- Color
- 0 Black (RAL9005)
  - 2 Red (RAL3001/D)
  - 3 Orange (RAL2011/P)
  - 4 Yellow (RAL1018/A)
  - 5 Green (RAL6018/T)
  - 6 Blue (RAL5015/A)
  - 8 Grey (RAL7035/D)
  - 9 White (RAL1102)
  - C Green (RAL6018/U)
- G RoHS compliant (lead<4%)  
In copper Alloy  
0000: "@" Logo (Standard)  
000A: "ANYTEK" Mark  
Any special item by customer request, please contact sales department.

N = Number of poles  
 Dim L = (N/2) × 3.81 + 0.79  
 Dim B = ((N/2) - 1) × 3.81  
 Dim C = ((N/2) - 1) × 3.81  
 Dim D = ((N/2) - 1) × 3.81  
 Dim E = (N/2) × 3.81 + 1.39

N = NUMBER OF POLES

Poles	Tolerance		
2x17P	±0.30	0.60	0.55
2x19P	±0.30	0.65	0.55

<b>ANYTEK</b>				<b>CUSTOMER COPY</b>			
ALL RIGHTS RESERVED. REPRODUCTION OR ISSUE TO THIRD PARTIES IN ANY FORM WHATSOEVER IS NOT PERMITTED WITHOUT WRITTEN AUTHORITY FROM THE PROPRIETOR. PROPERTY OF ANYTEK TECHNOLOGY CO., LTD							
TITLE	VF-3.81 Series Vertical without flange						
PART NO.	VFxx31x0xxxxG			DWG NO.	8VF0208		
APPROVED	CHECKED	DESIGNED	DRAWN	CUST NO.	Tolerance		
		Evan 11/15`14	Evan 11/15`14		UNIT: mm	X.	±0.50
					SCALE: NONE	X.X	±0.30
				SHEET: 01/01	REV.: B	X.XX	±0.10
						X°	±1°