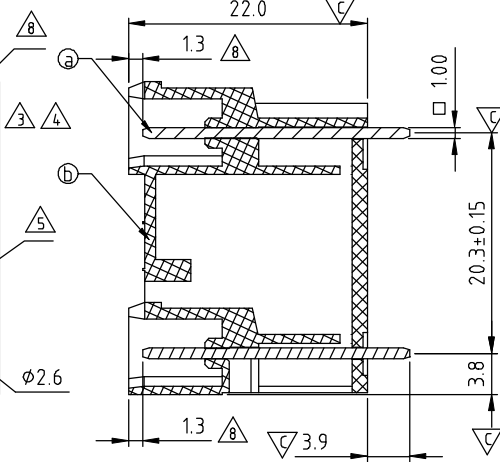
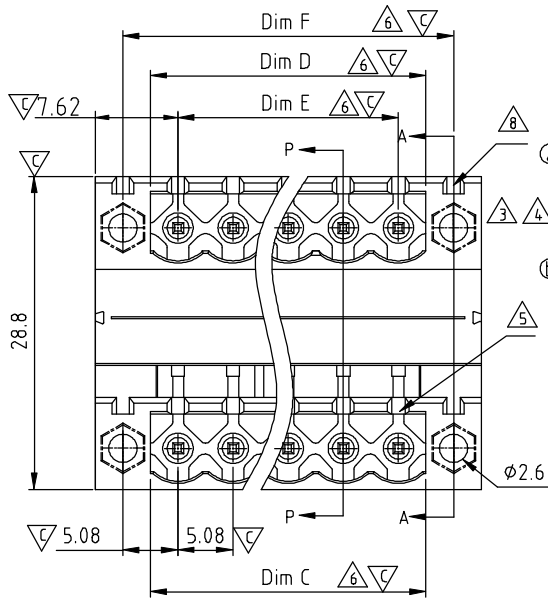
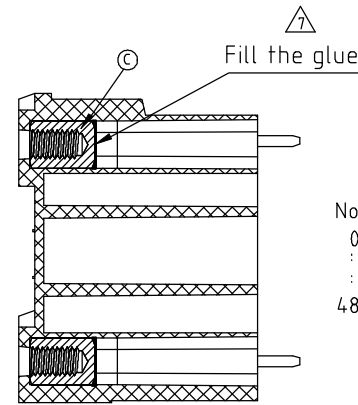


RECOMMENDED PCB LAYOUT



SECTION P-P



SECTION A-A

SIGN	DATE	DESCRIPTION	APPROVER
△	1/29'07	Soldering temperature changed from 245° to 250°	Tony
△	8/01'08	Operating temperature changed	Marvin
△	8/01'08	Body with flange is changed	Marvin
△	09/14'09	The design is changed from the round hole to hexagonal hole	Jacke
△	09/20'09	The design is changed	Chen Bo
△	04/21'12	The Dimension C & D & E & F are added	Chen Bo
△	04/21'12	Flange nut is changed	Chen Bo
△	11/19'13	Update the drawing	Chen Bo

THIS IS CAD DRAWING, DO NOT REVISE MANUALLY!!!

Material:

- Item ① Male contact pin: Copper Tin plated
- Item ② Terminal (housing): Thermoplastic (UL94V-0)
- Item ③ With flange nut: Brass ,M2.5

Electrical: cULus

- Voltage rating: 300V
- Current rating: 20A
- Withstanding Voltage: 1.6 KV
- Operating temperature: -40°C to +115°C
- Soldering temperature: 260°C±5°C/5 Sec
- Safety Approval: cULus
- Critical dimension: ⑦

VL xx 5 2 x 0 xxxx G

No. OF POLES
04: 2x2 POLES
48: 2x24 POLES

G: RoHS compliant (lead<4%)
In copper Alloy
0000: "@" Logo
000A: "ANYTEK" Mark
Any special item by customer request.
please contact sales department.

0 Black (RAL9005)
2 Red (RAL3001/D)
3 Orange(RAL2011/P)
4 Yellow(RAL1018/A)
5 Green(RAL6018/T)
6 Blue (RAL5015/A)
8 Grey(RAL7035/D)
9 White(RAL1102)
C Green(RAL6018/U)

N = Number of poles
 Dim L=(N+2)×5.08
 Dim B=(N-1)×5.08
 Dim C=N×5.08
 Dim D=N×5.08
 Dim E=(N-1)×5.08
 Dim F=(N+1)×5.08

Poles	Dim L	Dim B	Dim C	Dim D	Dim E	Dim F
2x2-2x6p	±0.15	±0.15	+0.15 -0.00	+0.15 -0.00	±0.15	±0.15
2x7-2x12p	±0.25	±0.25	+0.25 -0.00	+0.25 -0.00	±0.25	±0.25
2x13-2x18p	±0.35	±0.35	+0.30 -0.00	+0.30 -0.00	±0.35	±0.35
2x19-2x24p	±0.40	±0.40	+0.40 -0.00	+0.40 -0.00	±0.40	±0.40

ANYTEK		CUSTOMER COPY		ALL RIGHTS RESERVED. REPRODUCTION OR ISSUE TO THIRD PARTIES IN ANY FORM WHATSOEVER IS NOT PERMITTED WITHOUT WRITTEN AUTHORITY FROM THE PROPRIETOR. PROPERTY OF ANYTEK TECHNOLOGY CO., LTD			
				TITLE: VL-5.08mm Series Vertical With Flange			
PART NO. VLxx52x0xxxxG		DWG NO. 8VL0304		APPROVED			
CHECKED		DESIGNED		DRAWN		CUST NO.	
Chen Bo 11/19'13		Chen Bo 11/19'13		SHEET: 01/01		Tolerance	
				UNIT: mm		X. ±0.50	
				SCALE: NONE		X.X ±0.30	
				REV.: I		X.XX ±0.10	
						X° ±1°	