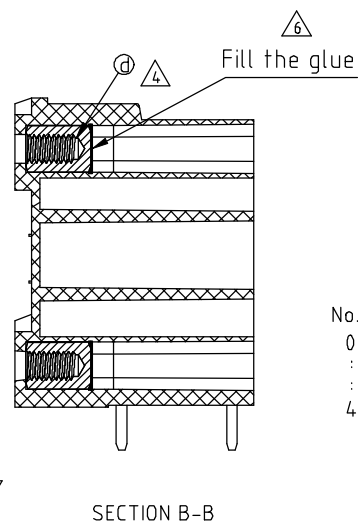
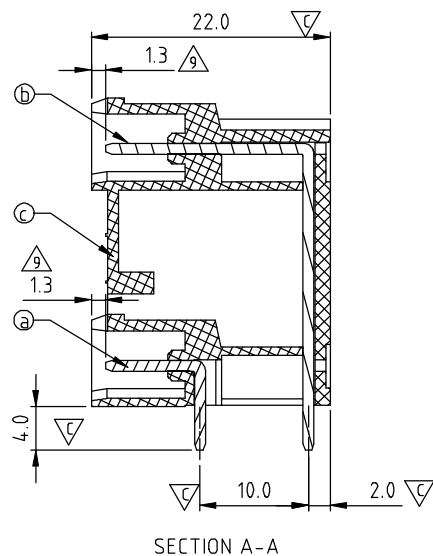
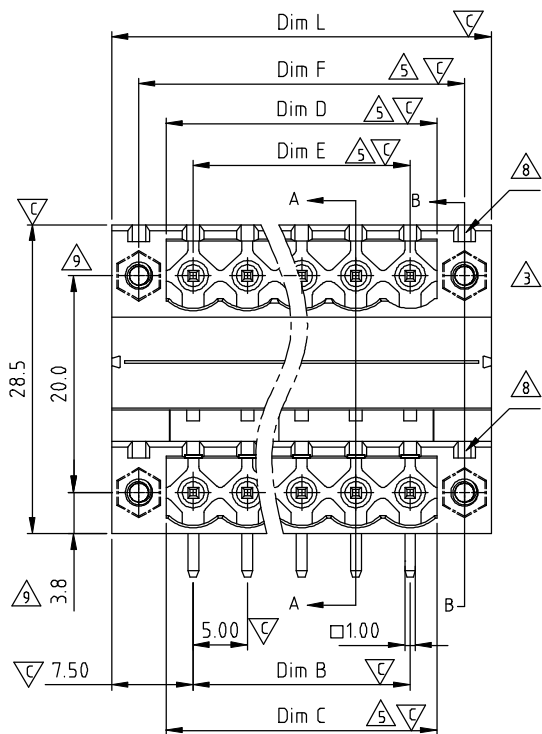


RECOMMENDED PCB LAYOUT



SECTION B-B

SIGN	DATE	DESCRIPTION	APPROVER
△	1/29'07	Soldering temperature changed from 245° to 250°	Tony
△	8/01'08	Operating temperature changed	Marvin
△	8/01'08	Body with flange is changed	Marvin
△	9/30'09	The design is changed from the round hole to hexagonal hole	Jacke
△	04/16'12	The Dimension C & D & E & F are added	Chen Bo
△	04/16'12	Flange nut is changed	Chen Bo
△	04/16'12	The Material is changed from Brass to Copper	Chen Bo
△	10/08'13	Change the structure	Chen Bo
△	10/08'13	Add the dimensional label	Chen Bo

THIS IS CAD DRAWING, DO NOT REVISE MANUALLY!!!

Material:

- △ Item ① Short male contact pin: Copper Tin plated
 - Item ② Long male contact pin: Copper Tin plated
 - Item ③ Terminal(housing): Thermoplastic (UL94V-0)
 - Item ④ With flange nut: Brass ,M2.5
- Electrical: cULus
- Voltage rating: 300V
 - Current rating: 20A
 - Withstanding Voltage: 1.6 KV
 - Operating temperature: -40°C to +115°C
 - Soldering temperature: 260°C±5°C/5 Sec
 - Safety Approval:
 - Critical dimension: ▽

VL xx 7 2 x 1 xxxx G

No. OF POLES
04: 2x2 POLES
⋮
48: 2x24 POLES

COLOR

- 0 Black (RAL9005)
- 2 Red (RAL3001/D)
- 3 Orange(RAL2011/P)
- 4 Yellow(RAL1018/A)
- 5 Green(RAL6018/T)
- 6 Blue (RAL5015/A)
- 8 Grey(RAL7035/D)

G: RoHS compliant (lead<4%)
In copper Alloy

0000: "@ " Logo
000A: "ANYTEK" Mark
Any special item by customer request, please contact sales department.

N = Number of poles

Dim L=(N+2)×5.0

Dim B=(N-1)×5.0

Dim C=N×5.0

Dim D=N×5.0

Dim E=(N-1)×5.0

Dim F=(N+1)×5.0

Poles	Dim L	Dim B	Dim C	Dim D	Dim E	Dim F
2x2-2x6p	±0.15	±0.15	+0.15 -0.00	+0.15 -0.00	±0.15	±0.15
2x7-2x12p	±0.25	±0.25	+0.25 -0.00	+0.25 -0.00	±0.25	±0.25
2x13-2x18p	±0.35	±0.35	+0.30 -0.00	+0.30 -0.00	±0.35	±0.35
2x19-2x24p	±0.40	±0.40	+0.40 -0.00	+0.40 -0.00	±0.40	±0.40

ANYTEK

CUSTOMER COPY

ALL RIGHTS RESERVED. REPRODUCTION OR ISSUE TO THIRD PARTIES IN ANY FORM WHATSOEVER IS NOT PERMITTED WITHOUT WRITTEN AUTHORITY FROM THE PROPRIETOR. PROPERTY OF ANYTEK TECHNOLOGY CO., LTD

TITLE		VL-5.0 Series Right-angle With Flange			
PART NO.	VLxx72x1xxxxG	DWG NO.	8VL0203		
APPROVED	CHECKED	DESIGNED	DRAWN	CUST NO.	Tolerance
		Chen Bo 10/08'13	Chen Bo 10/08'13		X. ±0.50 X.X ±0.30 X.XX ±0.10 X° ±1°
SHEET: 01/01				UNIT: mm	SCALE: NONE
				REV.: H	