
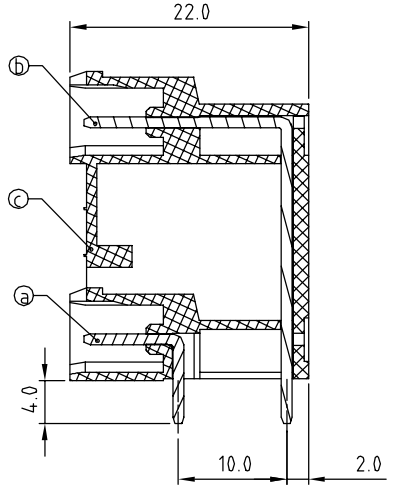
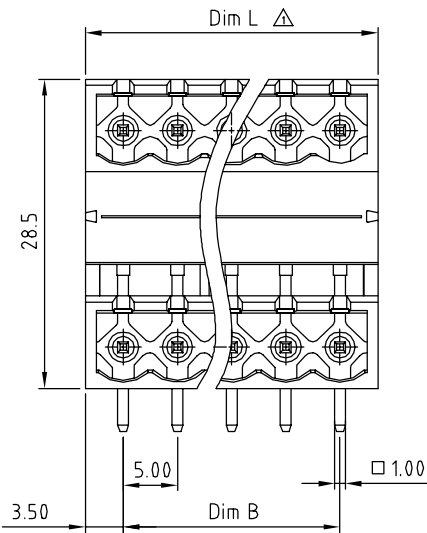
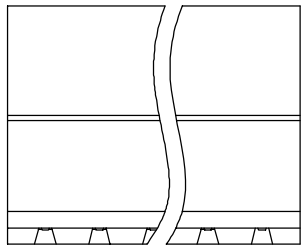


SIGN	DATE	DESCRIPTION	APPROVER
△	1/29'07	Dim. L changed	Tony
△	1/29'07	Soldering temperature changed from 245° to 250°	Tony
△	8/01'08	Operating temperature changed	Marvin
△			

THIS IS CAD DRAWING, DO NOT REVISE MANUALLY!!!

Material:

- Item ④ Short male contact pin: Copper Tin plated
- Item ⑤ long male contact pin: Copper Tin plated
- Item ③ Terminal(housing): Thermoplastic (UL94V-0)
Electrical: cULus
- Voltage rating: 300V
- Current rating: 20A
- Withstanding Voltage: 1.6 KV
- △ ● Operating temperature: -40°C to +115°C
- △ ● Soldering temperature: 260°C±5°C/5 Sec
- Safety Approval: 



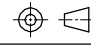

RECOMMENDED PCB LAYOUT

N=NUMBER OF CONTACTS

DIM	TOL				
	2--6P	7--12P	13--18P	19--24P	
Dim L	(N-1)×5.0+7.0	±0.15	±0.25	±0.35	±0.40
Dim B	(N-1)×5.0	±0.15	±0.25	±0.35	±0.40

VL xx 7 1 x 1 xxxx G

- No. OF POLES ——— G: Pb<40000ppm
- 04: 2×2 POLES ——— 0000: "@" Logo
- ⋮ ——— 000A: "ANYTEK" Mark
- 48: 2×24 POLES ——— Any special item by customer request. please contact sales department.
- COLOR
- 0 Black (RAL9005)
- 2 Red (RAL3001/D)
- 3 Orange(RAL2011/P)
- 4 Yellow(RAL1018/A)
- 5 Green(RAL6018/T)
- 6 Blue (RAL5015/A)
- 8 Grey(RAL7035/D)

ANYTEK				CUSTOMER COPY			
<small>ALL RIGHTS RESERVED. REPRODUCTION OR ISSUE TO THIRD PARTIES IN ANY FORM WHATSOEVER IS NOT PERMITTED WITHOUT WRITTEN AUTHORITY FROM THE PROPRIETOR. PROPERTY OF ANYTEK TECHNOLOGY CO., LTD</small>							
TITLE	VL-5.0mm Right-angle Series						
PART NO.	VLxx71x1xxxxG			DWG NO.	8VL0201		
APPROVED	CHECKED	DESIGNED	DRAWN	CUST NO.	Tolerance		
	Marvin 2008.08.01	Marvin 2008.08.01	Marvin 2008.08.01		UNIT: mm	X.	±0.50
					SCALE: NONE	X.X	±0.30
				SHEET: 01/01	REV.: E	X.XX	±0.10
						X°	±1°