

SIGN	DATE	DESCRIPTION	APPROVER
△	1/29'07	Soldering temperature changed from 245° to 250°	Tony
△	4/17'09	The design is changed	Jacke
△	4/17'09	Add the tolerance table	Jacke
△	2010.01.22	The demension is changed from 1.60mm to 1.10mm	Jacke
△	2010.01.22	The demension is changed from 0.40mm to 0.20 0.30mm	Jacke
△	2010.03.31	The material is changed from Brass to Copper	Jacke
△	04/23'12	Flange nut is changed	Chen Bo
△	04/23'12	The Dimension Dim C & Dim D are added	Chen Bo


THIS IS CAD DRAWING, DO NOT REVISE MANUALLY!!!

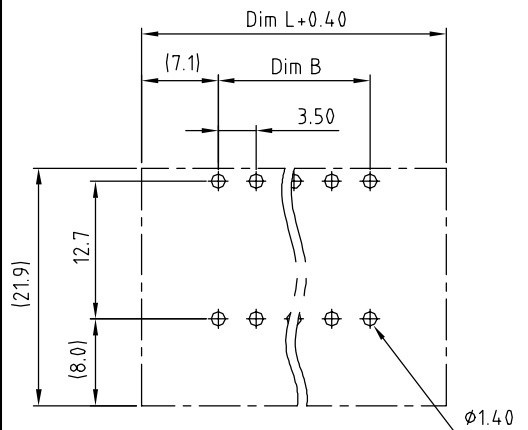
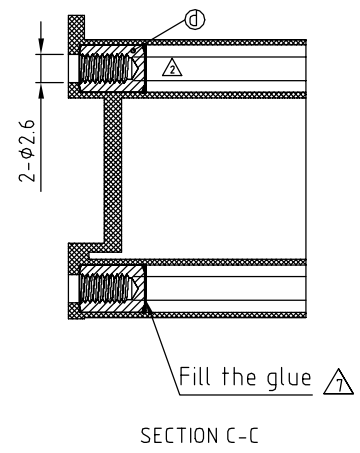
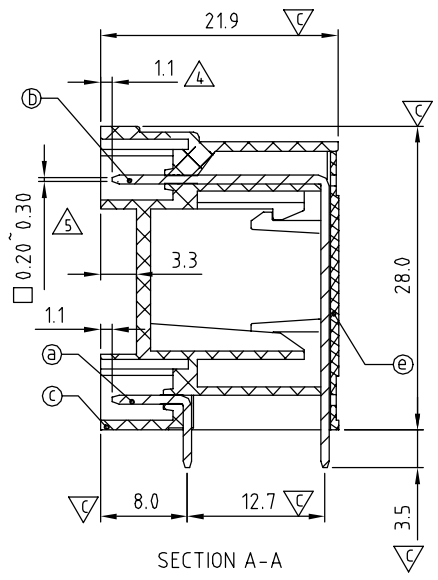
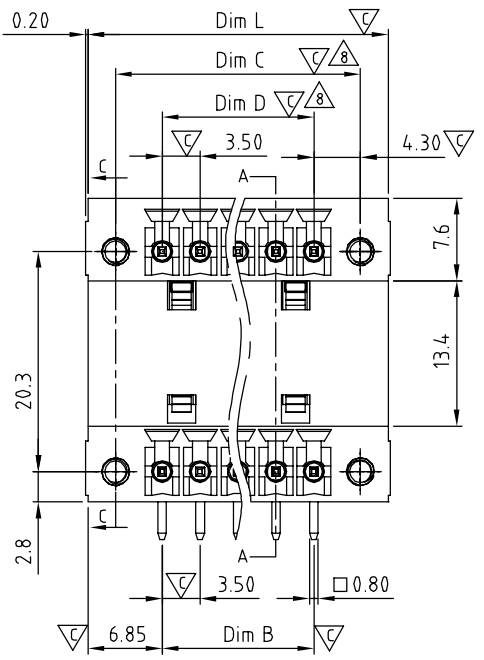
Material:

- Item ① Short contact pin: Copper Tin plated
- Item ② Long contact pin: Copper Tin plated
- Item ③ Terminal(housing): Thermoplastic (UL94V-0)
- Item ④ With flange nut: Brass ,M2.5
- Item ⑤ Terminal(cover): Thermoplastic (UL94V-0)

Electrical:

- Voltage rating: 300V
- Current rating: 10A
- Withstanding Voltage: 1.6 KV
- Operating temperature: -40°C to +115°C

- Soldering temperature: 250°C±10°C/5 Sec
- Safety Approval: 
- Critical dimension: ▽



N = Number of poles △
 Dim L=(N-1)×3.5+13.7
 Dim B=(N-1)×3.5
 Dim C=(N-1)×3.5+8.6
 Dim D=(N-1)×3.5

Poles	Dim L	Dim B	Dim C	Dim D
2×2-2×4p	±0.15	±0.15	±0.15	±0.15
2×5-2×8p	±0.20	±0.20	±0.20	±0.20
2×9-2×13p	±0.25	±0.25	±0.25	±0.25
2×14-2×17p	±0.30	±0.30	±0.30	±0.30
2×18-2×24p	±0.35	±0.35	±0.35	±0.35

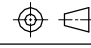
VL xx 1 2 x 1 xxxx G

No. OF POLES
 04: 2×2 POLES

COLOR
 48: 2×24 POLES
 0 Black (RAL9005)
 2 Red (RAL3001/D)
 3 Orange(RAL2011/P)
 4 Yellow(RAL1018/A)
 5 Green(RAL6018/T)
 6 Blue (RAL5015/A)
 8 Grey(RAL7035/D)

G: RoHS compliant (lead<4%)
 In copper Alloy

0000: "@" Logo
 000A: "ANYTEK" Mark
 Any special item by customer request. please contact sales department.

ANYTEK		CUSTOMER COPY		ALL RIGHTS RESERVED. REPRODUCTION OR ISSUE TO THIRD PARTIES IN ANY FORM WHATSOEVER IS NOT PERMITTED WITHOUT WRITTEN AUTHORITY FROM THE PROPRIETOR. PROPERTY OF ANYTEK TECHNOLOGY CO., LTD			
				TITLE: VL-3.5mm with flange Right-angle Series		PART NO.: VLxx12x1xxxxG	
APPROVED	CHECKED	DESIGNED	DRAWN	CUST NO.	Tolerance		
		Chen Bo 04/23'12	Chen Bo 04/23'12			UNIT: mm	X. ±0.50
						SCALE: NONE	X.X ±0.30
				SHEET: 01/01	REV.: F	X.XX ±0.10	X° ±1°