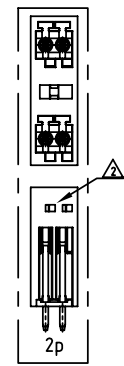
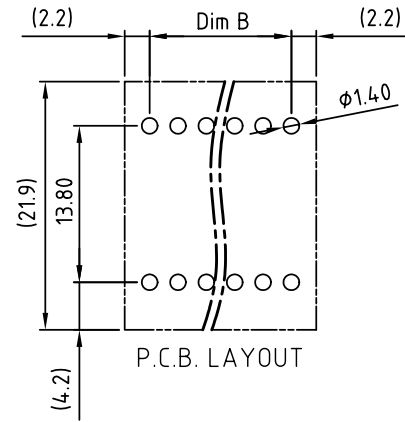
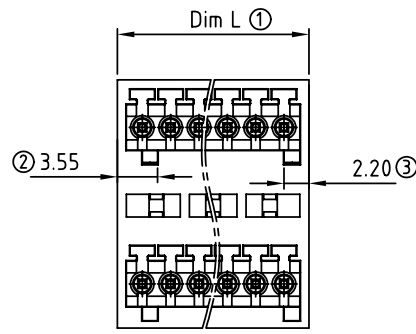


SIGN	DATE	DESCRIPTION	APPROVER
△	2010.03.16	Add the 2p mark	Jacke
△	2010.09.01	The design is changed	Jacke
THIS IS CAD DRAWING, DO NOT REVISE MANUALLY!!!			

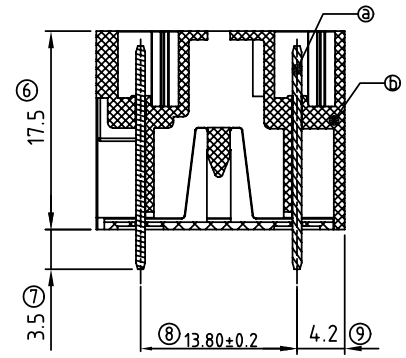
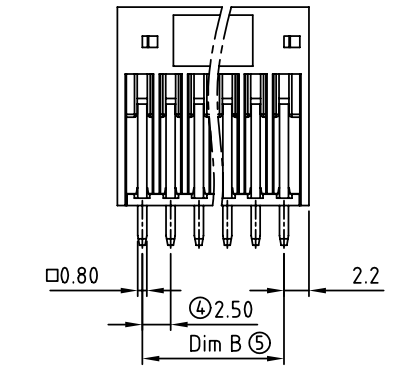


Material

- Item a Contact pin : Copper Whit Tin plated
- Item b Terminal (housing): Thermoplastic (UL94V-0)

Electrica

- Voltage rating:125V
- Current rating: 4A
- Withstanding Voltage: 1.25KV
- Operating temperature: -40°C to +115°C
- Soldering temperature: 250°C±10°C/5 Sec
- Safeyt Approval: us



VLxxB1x0xxxxG

- Poles
- 04 2x02 Contacts
 - 06 2x03 Contacts
 - 48 2x24 Contacts
- COLOR
- 0 Black (RAL9005)
 - 2 Red (RAL3001/D)
 - 3 Orange(RAL2011/P)
 - 4 Yellow(RAL1018/A)
 - 5 Green(RAL6018/T)
 - 6 Blue (RAL5015/A)
 - 8 Grey(RAL7035/D)
- Pb < 40,000ppm (RoHS)
- 0000: "@" Mark
000A: "ANYTEK" Mark
Any special item by customer request. please contact sales department.

Poles	2x2p	2x3p	2x4p	2x5p	2x6p	2x7p	2x8p	2x9p	2x10p	2x11p	2x12p	2x13p
Dim L	6.90	9.40	11.90	14.40	16.90	19.40	21.90	24.40	26.90	29.40	31.90	34.40
Dim B	2.50	5.00	7.50	10.00	12.50	15.00	17.50	20.00	22.50	25.00	27.50	30.00
TOL	±0.10				±0.15				±0.20			
Poles	2x14p	2x15p	2x16p	2x17p	2x18p	2x19p	2x20p	2x21p	2x22p	2x23p	2x24p	
Dim L	36.90	39.40	41.90	44.40	46.90	49.40	51.90	54.40	56.90	59.40	61.90	
Dim B	32.50	35.00	37.50	40.00	42.50	45.00	47.50	50.00	52.50	55.00	57.5	
TOL	±0.20		±0.25				±0.30					

ANYTEK

CUSTOMER COPY
ALL RIGHTS RESERVED. REPRODUCTION OR ISSUE TO THIRD PARTIES IN ANY FORM WHATSOEVER IS NOT PERMITTED WITHOUT WRITTEN AUTHORITY FROM THE PROPRIETOR. PROPERTY OF ANYTEK TECHNOLOGY CO., LTD

TITLE		VL 2.5 Series (2x2p ~ 2x24p) 180°			
PART NO.		VLxxB1x0xxxxG		DWG NO. 8VL0602	
APPROVED	CHECKED	DESIGNED	DRAWN	CUST NO.	
		Jacke 2010.09.01	Jacke 2009.6.26		
				UNIT: mm SCALE: NONE SHEET: 01/01 REV.: D	
				Tolerance X. ±0.5 X.X ±0.3 X.XX ±0.1 X° ±1°	