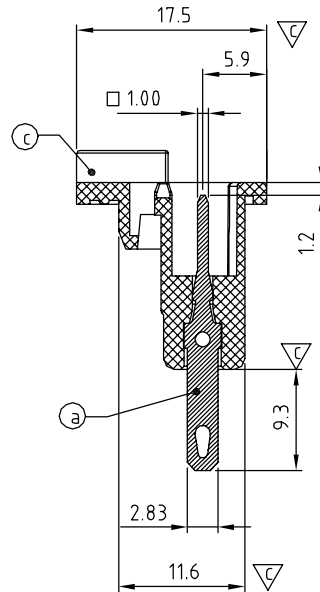
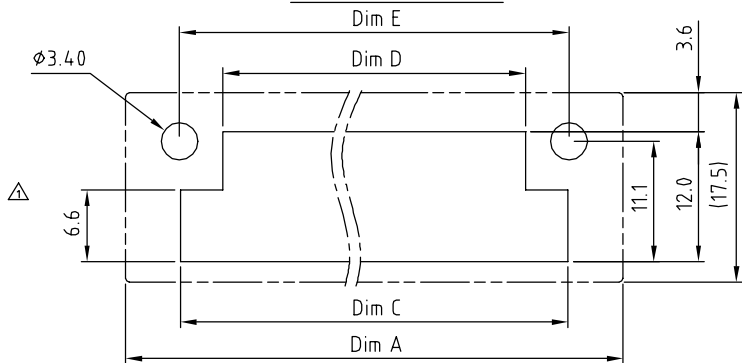


N=NUMBER OF CONTACTS

Cutout dimensions



SECTION P-P

DIMENSION

Dim A	Nx5.08+20.5
Dim B	(N-1)x5.08
Dim C	Nx5.08+10.3
Dim D	Nx5.08+2.5
Dim E	Nx5.08+10.52
Dim F	(N-1)x5.08

Poles	Tolerance
2pole~5pole	±0.10
6pole~10pole	±0.20
11pole~15pole	±0.30
16pole~24pole	±0.40

SIGN	DATE	DESCRIPTION	APPROVER
△	12/14/06	Add Cutout dimensions	Marvin
△	05/13/11	Add The tolerance table	Jacke
△	07/18/11	The Current rating is changed from 7A to 12A	Aaron
△	07/18/11	The dimension is added	Aaron

THIS IS CAD DRAWING, DO NOT REVISE MANUALLY!!!

Material:

- Item a Male contact : Brass with Tin plated.
- Item b Flange screw nut: brass M2.5.
- Item c Terminal (housing): Thermoplastic(UL94V-0)

Electrical cULus

- Voltage rating: 300VAC
- Current rating: 12A.
- Withstanding Voltage: 1.6kv
- Operating temperature: -40°C to +115°C
- Soldering temperature: 250°C±10°C/5 Sec
- Safety Approval: cULus
- Critical dimension: ▽

PART No.:

VZ xx 50 x 0 xxxx G

POLES

- 02 2 CONTACTS
- 03 3 CONTACTS
-
- 24 24 CONTACTS

Color

- 0 Black (RAL9005)
- 2 Red (RAL3001/D)
- 3 Orange(RAL2011/P)
- 4 Yellow(RAL1018/A)
- 5 Green(RAL6018/T)
- 6 Blue (RAL5015/A)
- 8 Grey(RAL7035/D)
- 9 White(RAL1102)
- C Green(RAL6018/U)

G: Pb < 40,000ppm

000 0 Standard @ Logo
000 A Standard ANY Logo
Any special item by customer request, please contact sales department.

ANYTEK

CUSTOMER COPY

ALL RIGHTS RESERVED. REPRODUCTION OR ISSUE TO THIRD PARTIES IN ANY FORM WHATSOEVER IS NOT PERMITTED WITHOUT WRITTEN AUTHORITY FROM THE PROPRIETOR. PROPERTY OF ANYTEK TECHNOLOGY CO., LTD

TITLE		VZ 5.08mm Series 2P-24P (With flange)			
PART NO.	VZxx50x0xxxxG	DWG NO.	8VZ0101		
APPROVED	CHECKED	DESIGNED	DRAWN	CUST NO.	Tolerance
		Aaron 2011.07.18	Jacke 2009.12.01		X. ±0.50 X.X ±0.30 X.XX ±0.10 X° ±1°
				SHEET: 01/01	UNIT: mm SCALE: NONE REV.: E