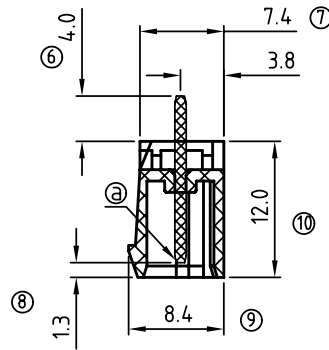
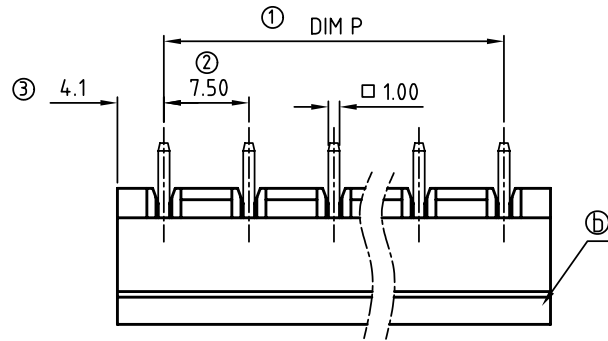


|   |      |             |          |
|---|------|-------------|----------|
| SIGN  | DATE | DESCRIPTION | APPROVER |
|   |      |             |          |
| <b>THIS IS CAD DRAWING, DO NOT REVISE MANUALLY!!!</b> |      |             |          |



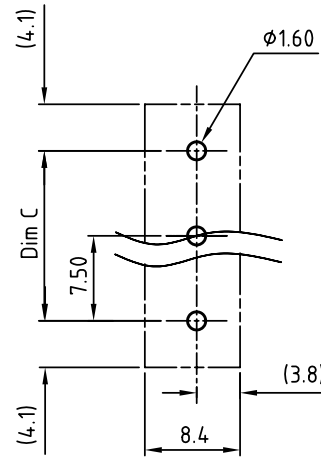
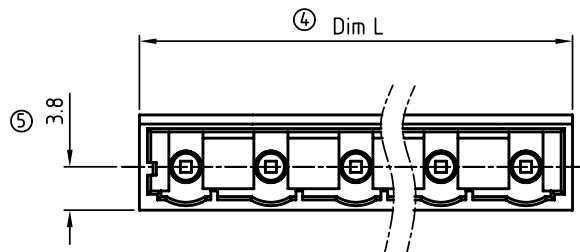
SECTION A-A

Material:

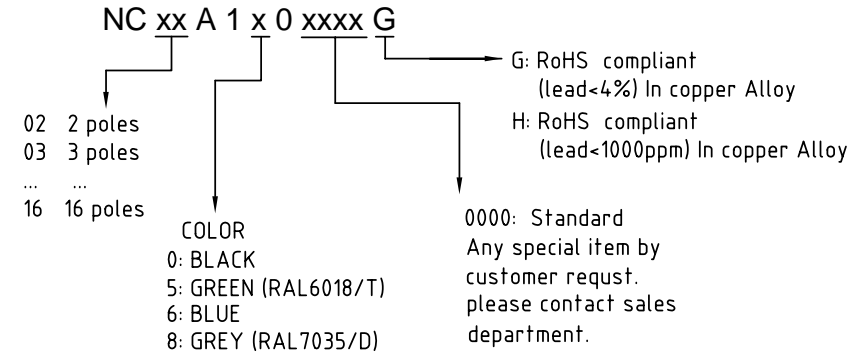
- Item a :Male contact pin: Copper Tin plated
- Item b :Terminal(housing): Thermoplastic (UL94V-0)

Electrical: cULus

- Voltage rating: 300V
- Current rating: 8A
- Withstanding Voltage: 1.6 KV
- Operating temperature: -40°C to +115°C
- Soldering temperature: 250°C±10°C/5 Sec
- Safety Approval:



P.C.B LAYOUT



N = Number of poles  
 Dim L=(N×7.5)+0.7  
 Dim P=(N-1)×7.5

|        | Dim L | Dim P |
|--------|-------|-------|
| 2-6p   | ±0.10 | ±0.10 |
| 7-12p  | ±0.25 | ±0.20 |
| 13-16p | ±0.40 | ±0.30 |

|   |  |                          |  |                      |  |            |  |
|---|--|--------------------------|--|----------------------|--|------------|--|
| <b>ANYTEK</b>   |  |                          |  | <b>CUSTOMER COPY</b> |  |            |  |
| ALL RIGHTS RESERVED. REPRODUCTION OR ISSUE TO THIRD PARTIES IN ANY FORM WHATSOEVER IS NOT PERMITTED WITHOUT WRITTEN AUTHORITY FROM THE PROPRIETOR. PROPERTY OF ANYTEK TECHNOLOGY CO., LTD |  |                          |  |                      |  |            |  |
| TITLE   |  | NC 7.5mm Vertical Series |  |                      |  |            |  |
| PART NO.  |  | NCxxA1x0xxxxG            |  | DWG NO.              |  | 8NC1301    |  |
| APPROVED  |  | CHECKED                  |  | DESIGNED             |  | DRAWN      |  |
|   |  |                          |  | Runner               |  | Runner     |  |
|   |  |                          |  | 2010.06.10           |  | 2010.06.10 |  |
|   |  |                          |  |                      |  |            |  |
|   |  |                          |  | SHEET: 01/01         |  | REV.: A    |  |
|   |  |                          |  | UNIT: mm             |  | Tolerance  |  |
|   |  |                          |  | SCALE: 2/1           |  | X. ±0.50   |  |
|   |  |                          |  |                      |  | X.X ±0.30  |  |
|   |  |                          |  |                      |  | X.XX ±0.10 |  |
|   |  |                          |  |                      |  | X° ±1°     |  |