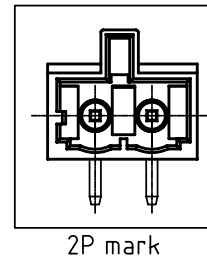
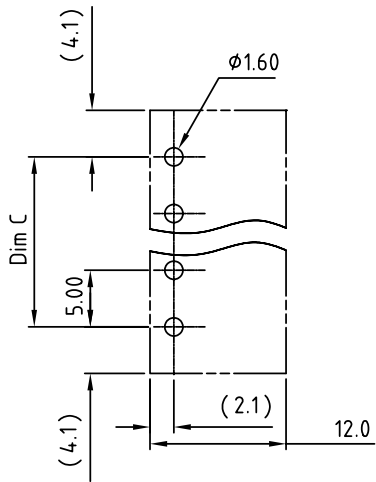
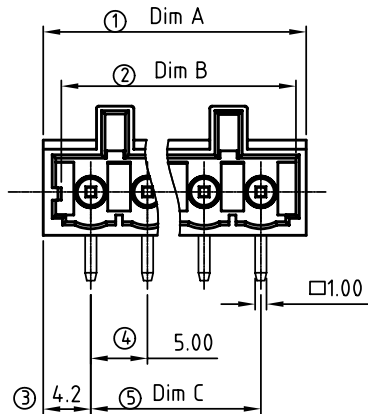


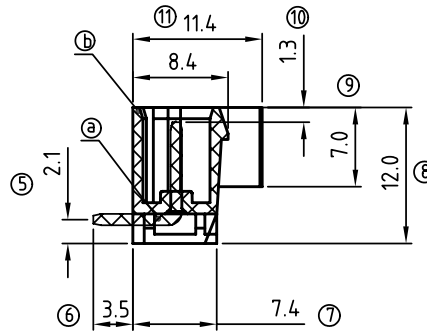
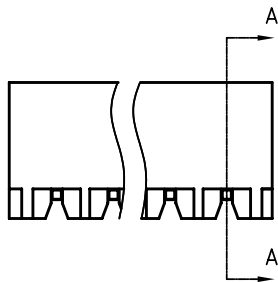
SIGN	DATE	DESCRIPTION	APPROVER
△			
THIS IS CAD DRAWING, DO NOT REVISE MANUALLY!!!			



Material:

- Item a :Male contact pin: Copper Tin plated
 - Item b :Terminal(housing): Thermoplastic (UL94V-0)
- Electrical: cULus
- Voltage rating: 300V
 - Current rating: 8A
 - Withstanding Voltage: 1.6 KV
 - Operating temperature: -40°C to +115°C
 - Soldering temperature: 250°C±10°C/5 Sec
 - Safety Approval: us

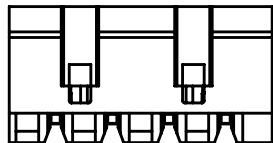
P.C.B LAYOUT



SECTION A-A

NC xx 7 2 x 1 xxxx G

- | | | | | |
|-----|----------|---|-------------------|---|
| 02 | 2 poles | 0 | Black (RAL9005) | G: Pb<40,000ppm
any special item by customer request, please contact sales department. |
| 03 | 3 poles | 2 | Red (RAL3001/D) | |
| ... | ... | 3 | Orange(RAL2011/P) | |
| 24 | 24 poles | 4 | Yellow(RAL1018/A) | |
| | | 5 | Green(RAL6018/T) | |
| | | 6 | Blue (RAL5015/A) | |
| | | 8 | Grey(RAL7035/D) | |



N = Number of poles
 Dim A=Nx5.0+3.2
 Dim B=Nx5.0+0.7
 Dim C=(N-1)x5.0

	Dim A	Dim B	Dim C
2-6p	±0.20	+0.15 -0	±0.20
6-12p	±0.30	+0.3 -0	±0.30
12-24p	±0.40	+0.4 -0	±0.40

ANYTEK

CUSTOMER COPY

ALL RIGHTS RESERVED. REPRODUCTION OR ISSUE TO THIRD PARTIES IN ANY FORM WHATSOEVER IS NOT PERMITTED WITHOUT WRITTEN AUTHORITY FROM THE PROPRIETOR. PROPERTY OF ANYTEK TECHNOLOGY CO., LTD

TITLE		NC 5.0mm Right-angle W/hook holder (100% protected against mismatching)					
PART NO.		NCxx72x1xxxxG		DWG NO.		8NC0004	
APPROVED	CHECKED	DESIGNED	DRAWN	CUST NO.		Tolerance	
		Runner	Runner			UNIT: mm	X. ±0.50
		2010.08.11	2010.08.11			SCALE: 2/1	X.X ±0.30
						SHEET: 01/01	X.XX ±0.10