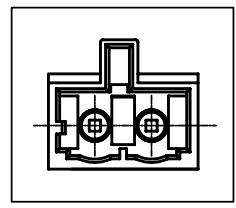
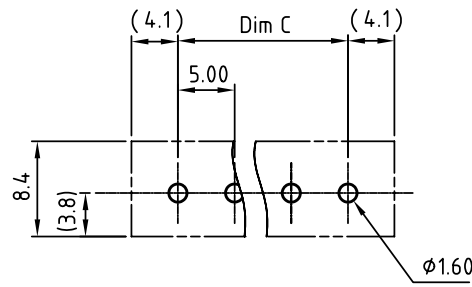
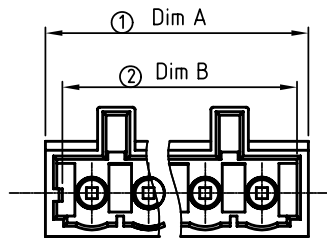


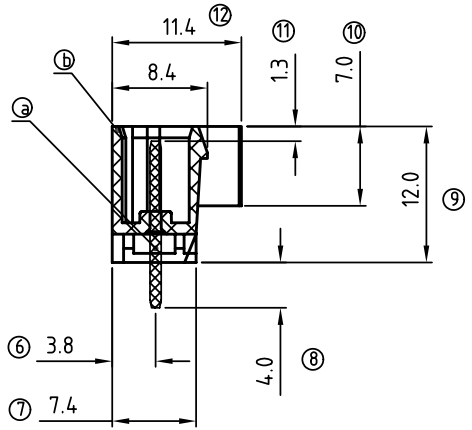
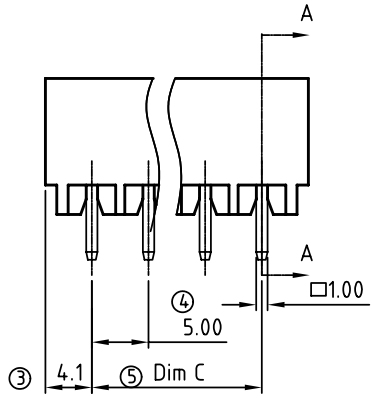
SIGN	DATE	DESCRIPTION	APPROVER
△			
THIS IS CAD DRAWING, DO NOT REVISE MANUALLY!!!			



2P mark

Material:

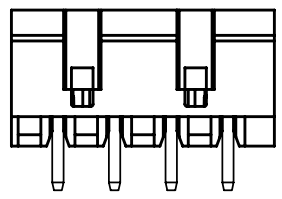
- Item a :Male contact pin: Copper Tin plated
- Item b :Terminal(housing): Thermoplastic (UL94V-0)
- Electrical: cULus
- Voltage rating: 300V
- Current rating: 8A
- Withstanding Voltage: 1.6 KV
- Operating temperature: -40°C to +115°C
- Soldering temperature: 250°C±10°C/5 Sec
- Safety Approval: us



SECTION A-A

NC xx 7 2 x 0 xxxx G

- | | | |
|-------------|--|-----------------|
| 02 2 poles | 0 Black (RAL9005) | G: Pb<40,000ppm |
| 03 3 poles | 2 Red (RAL3001/D) | |
| | 3 Orange(RAL2011/P) | |
| 24 24 poles | 4 Yellow(RAL1018/A) | |
| | 5 Green(RAL6018/T) | |
| | 6 Blue (RAL5015/A) | |
| | 8 Grey(RAL7035/D) | |
| | any special item by customer request, please contact sales department. | |



N = Number of poles
 Dim A=Nx5.0+3.2
 Dim B=Nx5.0+0.7
 Dim C=(N-1)x5.0

	Dim A	Dim B	Dim C
2-6p	±0.20	^{+0.15} ₋₀	±0.20
6-12p	±0.30	^{+0.3} ₋₀	±0.30
12-24p	±0.40	^{+0.4} ₋₀	±0.40

ANYTEK				CUSTOMER COPY			
<small>ALL RIGHTS RESERVED. REPRODUCTION OR ISSUE TO THIRD PARTIES IN ANY FORM WHATSOEVER IS NOT PERMITTED WITHOUT WRITTEN AUTHORITY FROM THE PROPRIETOR. PROPERTY OF ANYTEK TECHNOLOGY CO., LTD</small>							
TITLE		NC 5.0mm Vertical W/hook holder (100% protected against mismatching)					
PART NO.		NCxx72x0xxxxG		DWG NO.		8NC0003	
APPROVED		CHECKED	DESIGNED	DRAWN	CUST NO.		Tolerance
			Runner	Runner			X. ±0.50
			2010.08.11	2010.08.11			X.X ±0.30
					SHEET: 01/01		X.XX ±0.10
					REV.: B		X° ±1°