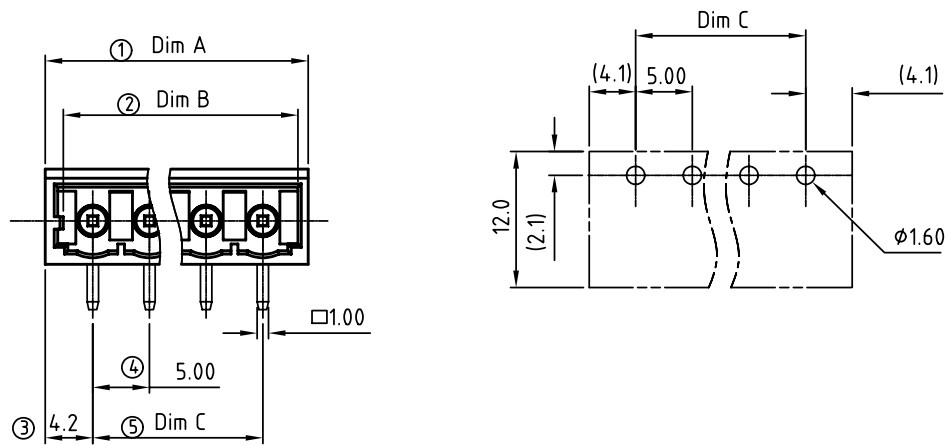
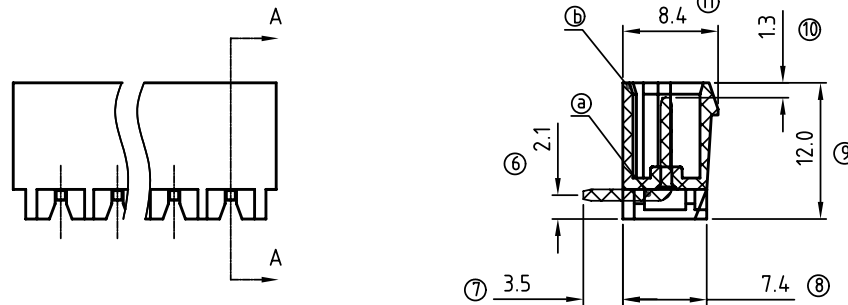


SIGN	DATE	DESCRIPTION	APPROVER
<b>THIS IS CAD DRAWING, DO NOT REVISE MANUALLY!!!</b>			



P.C.B LAYOUT



SECTION A-A

**Material:**

- Item a :Male contact pin: Copper Tin plated
  - Item b :Terminal(housing): Thermoplastic (UL94V-0)
- Electrical: cULus
- Voltage rating: 300V
  - Current rating: 8A
  - Withstanding Voltage: 1.6 KV
  - Operating temperature: -40°C to +115°C
  - Soldering temperature: 250°C±10°C/5 Sec
  - Safety Approval: us

NC xx 7 1 x 1 xxxx G

- |             |                     |                                       |
|-------------|---------------------|---------------------------------------|
| 02 2 poles  | 0 Black (RAL9005)   | G: Pb<40,000ppm                       |
| 03 3 poles  | 2 Red (RAL3001/D)   |                                       |
| ... ..      | 3 Orange(RAL2011/P) |                                       |
| 24 24 poles | 4 Yellow(RAL1018/A) | any special item by customer request, |
|             | 5 Green(RAL6018/T)  | please contact sales                  |
|             | 6 Blue (RAL5015/A)  | department.                           |
|             | 8 Grey(RAL7035/D)   |                                       |

N = Number of poles

Dim A=Nx5.0+3.2

Dim B=Nx5.0+0.7

Dim C=(N-1)x5.0

	Dim A	Dim B	Dim C
2-6p	±0.20	+0.15 -0	±0.20
6-12p	±0.30	+0.3 -0	±0.30
12-24p	±0.40	+0.4 -0	±0.40

**ANYTEK**

**CUSTOMER COPY**

ALL RIGHTS RESERVED. REPRODUCTION OR ISSUE TO THIRD PARTIES IN ANY FORM WHATSOEVER IS NOT PERMITTED WITHOUT WRITTEN AUTHORITY FROM THE PROPRIETOR. PROPERTY OF ANYTEK TECHNOLOGY CO., LTD

TITLE		NC 5.0mm Right-angle Series			
PART NO.		NCxx71x1xxxxG		DWG NO.	8NC0002
APPROVED	CHECKED	DESIGNED	DRAWN	CUST NO.	
		Runner	Runner		
		2010.08.16	2010.08.16		
					Tolerance
					X. ±0.50
				UNIT: mm	X.X ±0.30
				SCALE: 2/1	X.XX ±0.10
				SHEET: 01/01	X° ±1°
				REV.: B	