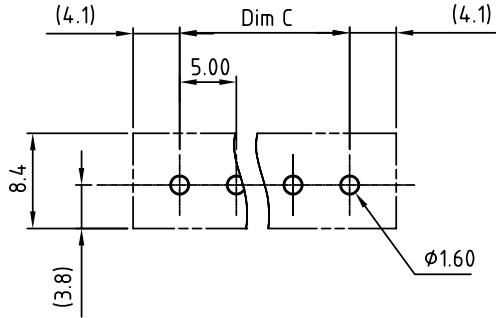
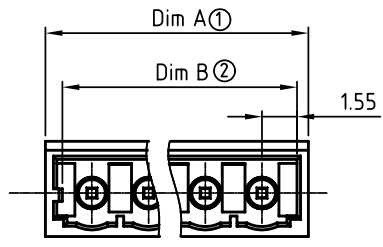
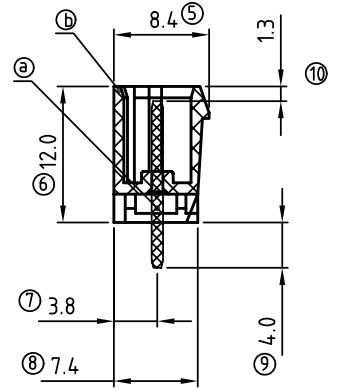
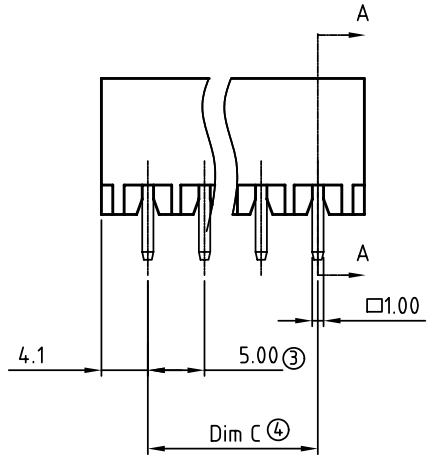


SIGN	DATE	DESCRIPTION	APPROVER
THIS IS CAD DRAWING, DO NOT REVISE MANUALLY!!!			



P.C.B LAYOUT



SECTION A-A

Material:

- Item a :Male contact pin: Copper Tin plated
- Item b :Terminal(housing): Thermoplastic (UL94V-0)

- Electrical: cULus
- Voltage rating: 300V
 - Current rating: 8A
 - Withstanding Voltage: 1.6 KV
 - Operating temperature: -40°C to +115°C
 - Soldering temperature: 250°C±10°C/5 Sec
 - Safety Approval:

NC xx 7 1 x 0 xxxx G

- | | | |
|-------------|---------------------|---|
| 02 2 poles | 0 Black (RAL9005) | G: Pb<40,000ppm
any special item by customer request, please contact sales department. |
| 03 3 poles | 2 Red (RAL3001/D) | |
| | 3 Orange(RAL2011/P) | |
| 24 24 poles | 4 Yellow(RAL1018/A) | |
| | 5 Green(RAL6018/T) | |
| | 6 Blue (RAL5015/A) | |
| | 8 Grey(RAL7035/D) | |

N = Number of poles
 Dim A=Nx5.0+3.2
 Dim B=Nx5.0+0.7
 Dim C=(N-1)x5.0

	Dim A	Dim B	Dim C
2-6p	±0.20	+0.15 -0	±0.20
6-12p	±0.30	+0.3 -0	±0.30
12-24p	±0.40	+0.4 -0	±0.40

ANYTEK				CUSTOMER COPY			
ALL RIGHTS RESERVED. REPRODUCTION OR ISSUE TO THIRD PARTIES IN ANY FORM WHATSOEVER IS NOT PERMITTED WITHOUT WRITTEN AUTHORITY FROM THE PROPRIETOR. PROPERTY OF ANYTEK TECHNOLOGY CO., LTD							
TITLE		NC 5.0mm Vertical series					
PART NO.		NCxx71x0xxxxG			DWG NO.		8NC0001
APPROVED		CHECKED	DESIGNED	DRAWN	CUST NO.		Tolerance
			Runner	Runner			X. ±0.50
			2010.08.16	2010.08.16			X.X ±0.30
					SHEET: 01/01		X.XX ±0.10
					REV.: B		X° ±1°