


SIGN	DATE	DESCRIPTION	APPROVER
△	2010.04.26	The normal grey No. changed from RAL7004/P to RAL7035/D	Jacke
△	2010.06.19	The design is changed	Chen Bo
△	2010.09.20	The Material is changed from Brass to Copper	Chen Bo

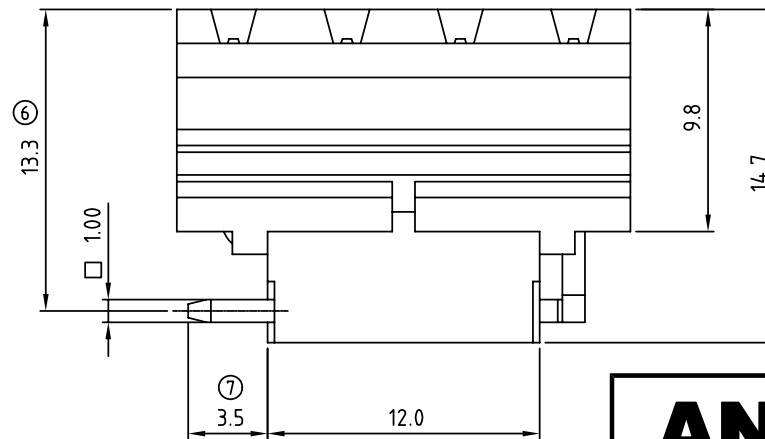
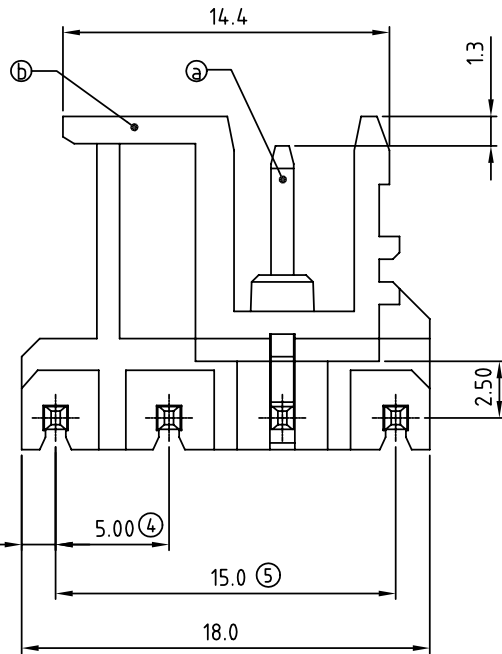
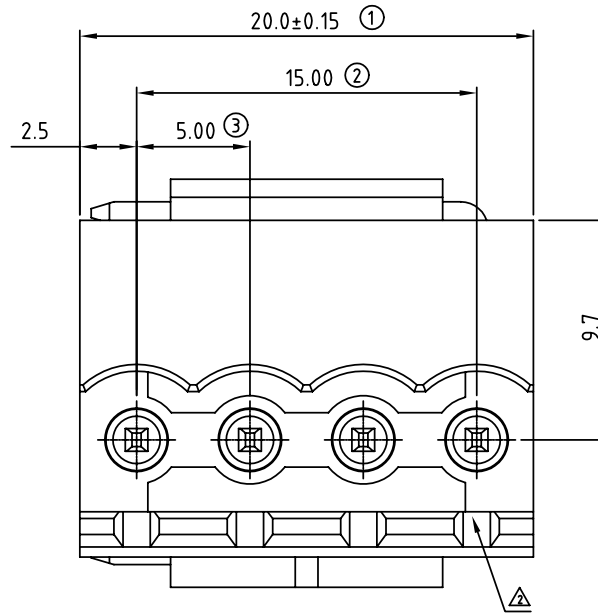
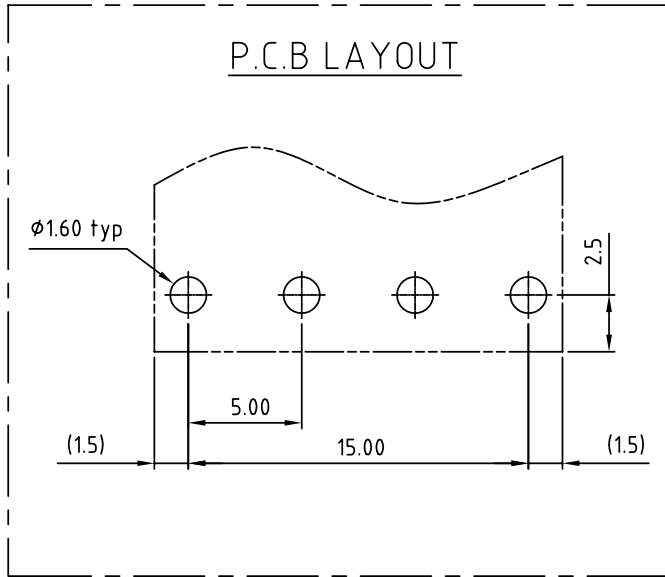
THIS IS CAD DRAWING, DO NOT REVISE MANUALLY!!!

Material:

- Item ③ Male contact pin: Copper Tin plated
- Item ⑥ Terminal(housing): Thermoplastic (UL94V-0)

Electrical:

- Voltage rating: 300V
- Current rating: 20A
- Withstanding Voltage: 1.6 KV
- Operating temperature: -40°C to +115°C
- Soldering temperature: 250°C±10°C/5 Sec
- Safety Approval: us



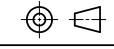
EU 04 70 x 1 xxxx G

- G: Pb<40,000ppm
- COLOR
- 0 Black (RAL9005)
 - 2 Red (RAL3001/D)
 - 3 Orange(RAL2011/P)
 - 4 Yellow(RAL1018/A)
 - 5 Green(RAL6018/T)
 - 6 Blue (RAL5015/A)
 - 8 Grey(RAL 7035/D)
- 0000 Standard @ Logo
000A Standard ANY Logo
Any special item by customer request, please contact sales department.

ANYTEK

CUSTOMER COPY

ALL RIGHTS RESERVED. REPRODUCTION OR ISSUE TO THIRD PARTIES IN ANY FORM WHATSOEVER IS NOT PERMITTED WITHOUT WRITTEN AUTHORITY FROM THE PROPRIETOR. PROPERTY OF ANYTEK TECHNOLOGY CO., LTD

TITLE				EU 5.0 SERIES 4P (Left)			
PART NO.		EU0470x1xxxxG		DWG NO.		8EU0004	
APPROVED	CHECKED	DESIGNED	DRAWN	CUST NO.		Tolerance	
			Chen Bo 2010.09.20			UNIT: mm	X. ±0.50
				SHEET: 01/01		SCALE: NONE	X.X ±0.30
						REV.: E	X.XX ±0.10
							X° ±1°