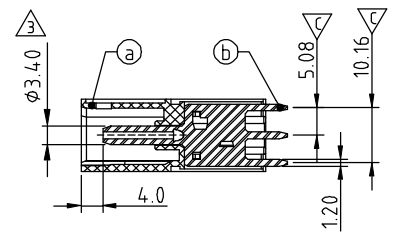
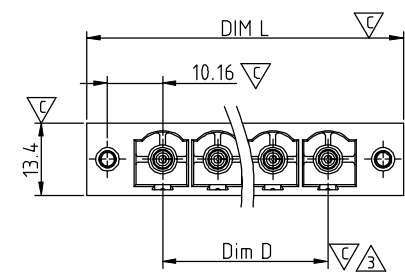
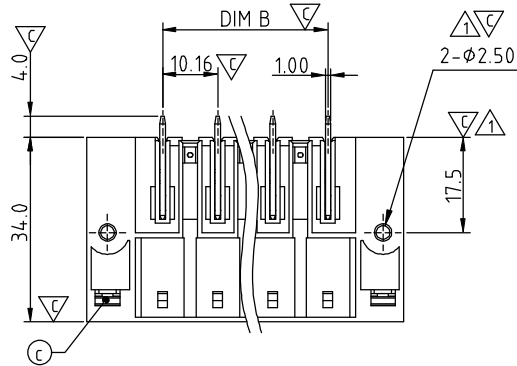
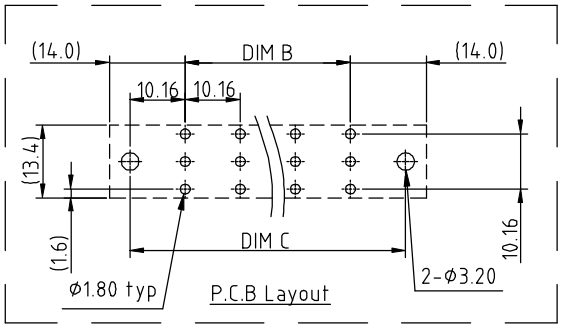
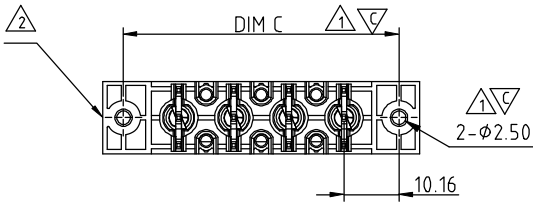


SIGN	DATE	DESCRIPTION	APPROVER
△	07/13`12	The dimension is added	Chen Bo
△	07/13`12	Add the Top view	Chen Bo
△	03/04`14	update the drawing	Chen Bo

*THIS IS CAD DRAWING, DO NOT REVISE MANUALLY!!!*



**Material:**

- Item a Terminal(housing): Thermoplastic,UL 94 - V0.
- Item b Male contact pin: Copper Gold plated
- Item c With flange nut : Steel zinc plated M3

**Electrical:** cULus / IEC

- Voltage rating: 300V / 1000V
- Current rating: 55A / 76A
- Withstanding Voltage: 1.6 KV / 8 KV
- Operating temperature: -40°C to +115°C
- Soldering temperature: 260°C±5°C/5 Sec
- Safety Approval:
- Critical dimension: ▽

**△ EW xx 62 x 0 xxxx G**

- Solid Block
  - 02 2Contacts
  - 03 3Contacts
  - ... ..
  - 12 12Contacts
- Color
- 0 Black (RAL9005)
  - 2 Red (RAL3001/D)
  - 3 Orange(RAL2011/P)
  - 4 Yellow(RAL1018/A)
  - 5 Green(RAL6018/T)
  - 6 Blue (RAL5015/A)
  - 8 Grey(RAL7035/D)
  - 9 White(RAL1102)
  - C Green(RAL6018/U)
- G RoHS compliant (lead<4%) In copper Alloy
- 0000 Standard @ Logo
  - 000A Standard ANY Logo
- Any special item by customer request, please contact sales department.

Dimension

Dim L	$(N+1) \times 10.16 + 7.6$
Dim B	$(N-1) \times 10.16$
Dim C	$(N+1) \times 10.16$
Dim D	$(N-1) \times 10.16$

N=Number of poles

POLES	TOL
2p-5p	±0.25
6p-8p	±0.35
9p-12p	±0.45

<b>ANYTEK</b>				<b>CUSTOMER COPY</b>			
ALL RIGHTS RESERVED. REPRODUCTION OR ISSUE TO THIRD PARTIES IN ANY FORM WHATSOEVER IS NOT PERMITTED WITHOUT WRITTEN AUTHORITY FROM THE PROPRIETOR. PROPERTY OF ANYTEK TECHNOLOGY CO., LTD							
TITLE	EW 10.16 Series 2p-12p Vertical W/F ange						
PART NO.	EWxx62x0xxxxG			DWG NO.	8EW0006		
APPROVED	CHECKED	DESIGNED	DRAWN	CUST NO.	Tolerance		
		Chen Bo 03/04`14	Chen Bo 03/04`14		UNIT: mm	X.	±0.50
					SCALE: NONE	X.X	±0.30
				SHEET: 01/01	REV.: D	X.XX	±0.10
						X°	±1°