

SIGN	DATE	DESCRIPTION	APPROVER
△	10/30`12	Change the product number	Chen Bo
△	10/30`12	Change the electrical specification	Chen Bo
△	09/21`13	P.C.B Layout is changed	Chen Bo
△	12/10`13	change the electrical specification	Chen Bo
△	12/10`13	change the product number	Chen Bo

THIS IS CAD DRAWING, DO NOT REVISE MANUALLY!!!

Material:

- Item ① Terminal(housing):Thermoplastic (UL94V-0)
- Item ② Contact pin: Copper, Tin plated
- Item ③ With flange nut : Steel zinc plating M3

Electrical:

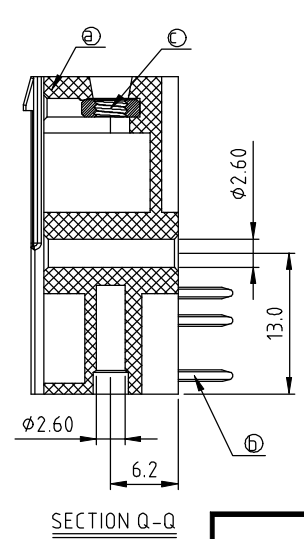
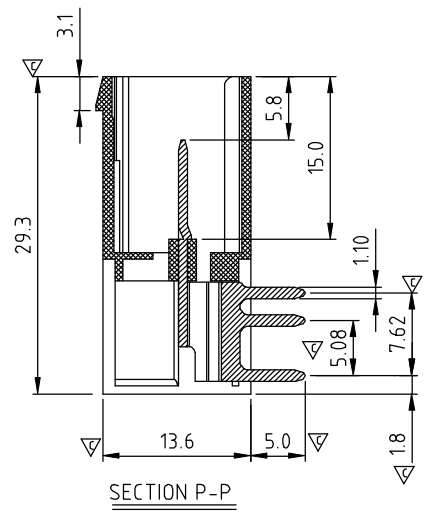
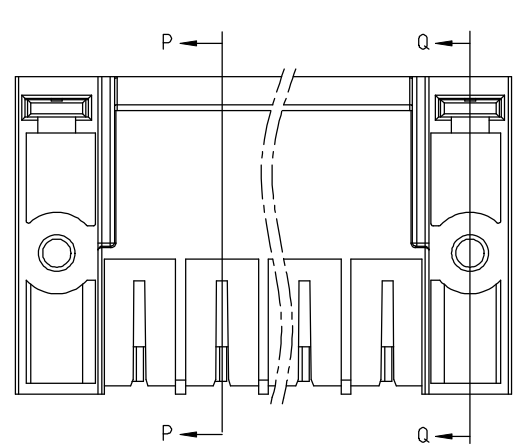
- Voltage rating:300V
- △ ● Current rating:41A
- Withstanding Voltage:1.6 KV
- Operating temperature:-40°C to +115°C
- △ ● Soldering temperature:260°C±5°C/5 Sec
- Safety Approval: US
- Critical dimension: ▽

△ ⑤ △ V C xx 0 1 x B xxxx G

No. OF POLES
02: 2 POLES
:
16: 16 POLES

COLOR
0 Black (RAL9005)
2 Red (RAL3001/D)
3 Orange(RAL2011/P)
4 Yellow(RAL1018/A)
5 Green(RAL6018/T)
6 Blue (RAL5015/A)
8 Grey(RAL7035/D)
9 White(RAL1102)
C Green(RAL6018/U)

G RoHS compliant (lead<4%)
In copper Alloy
0000: "@" Logo (Standard)
000A: "ANYTEK" Mark
Any special item by customer request. please contact sales department.



DIMENSION

Dim L	(N-1)×7.62+22.86
Dim A	(N-1)×7.62+15.24
Dim B	(N-1)×7.62
Dim C	(N-1)×7.62

N=Number of contacts

Poles	Tolerance
2p-5p	±0.20
6p-12p	±0.30
13p-16p	±0.40

ANYTEK

CUSTOMER COPY

ALL RIGHTS RESERVED. REPRODUCTION OR ISSUE TO THIRD PARTIES IN ANY FORM WHATSOEVER IS NOT PERMITTED WITHOUT WRITTEN AUTHORITY FROM THE PROPRIETOR. PROPERTY OF ANYTEK TECHNOLOGY CO., LTD

TITLE		VC 7.62 Series 2P-16P W/flange Right angle Three tail type (PCB UP)			
PART NO.		VCxx01xBxxxxG		DWG NO. 8VC0105	
APPROVED	CHECKED	DESIGNED	DRAWN	CUST NO.	
		Chen Bo 12/10`13	Chen Bo 12/10`13		
				Tolerance X. ±0.50 X.X ±0.30 X.XX ±0.10 X° ±1°	
SHEET: 01/01				UNIT: mm SCALE: NONE REV.: E	