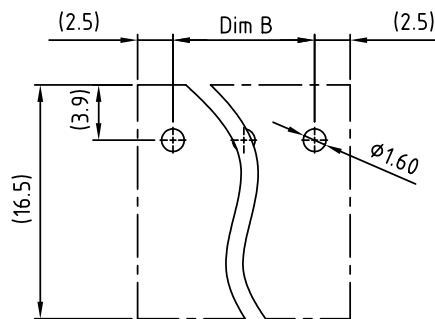
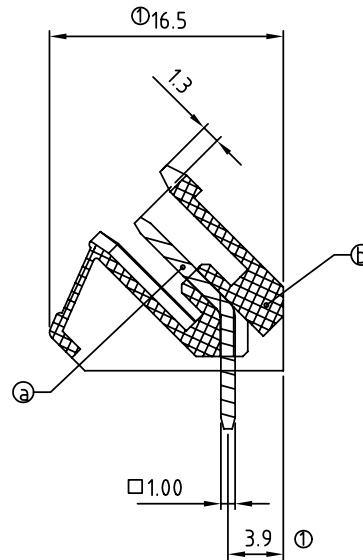
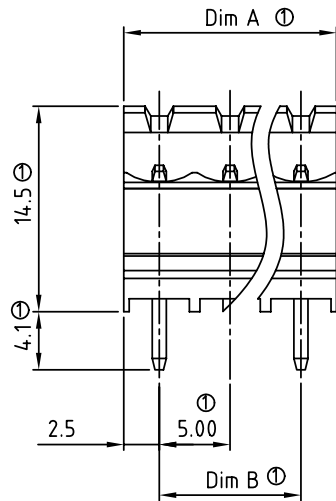
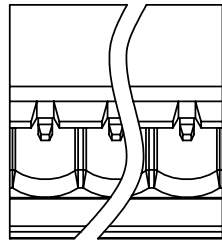


SIGN	DATE	DESCRIPTION	APPROVER
△	8/07'06	Added VDE and TUV standard	梁仁松
△	1/27'07	Soldering temperature changed from 245° to 250°	Tony
△	2009.10.27	The material is changed from Brass to Copper	Jacke
△	2009.10.27	The operating temperature is changed	Jacke
△	2010.10.11	The design is changed	Jacke

THIS IS CAD DRAWING, DO NOT REVISE MANUALLY!!!



RECOMMENDED PCB LAYOUT

N = Number of poles  
 Dim A = N x 5.0  
 Dim B = (N - 1) x 5.0

	Dim A	Dim B
2-6p	±0.15	±0.15
7-12p	±0.20	±0.20
13-18p	±0.30	±0.30
19-24p	±0.40	±0.40

Material:

- Item ㉑ Male contact pin: Copper Tin plated
- Item ㉒ Terminal (housing): Thermoplastic (UL94V-0)

- △ Electrical: cULus /VDE/TUV
  - Voltage rating: 300V/300V/300V
  - Current rating: 15A/17A/20A
  - Withstanding Voltage: 1.6 KV/2.5KV/2.5KV
- △ ● Operating temperature: -40°C to +115°C
- △ ● Soldering temperature: 250°C±10°C/5 Sec
- Safety Approval:

VK xx 7 0 x 0 xxxx G

No. OF POLES  
 02: 2 POLES  
 :  
 24: 24 POLES

COLOR

- 0 Black (RAL9005)
- 2 Red (RAL3001/D)
- 3 Orange(RAL2011/P)
- 4 Yellow(RAL1018/A)
- 5 Green(RAL6018/T)
- 6 Blue (RAL5015/A)
- 8 Grey(RAL7035/D)

G: Pb<4000ppm

0000: "@ " Logo (Standard)  
 000A: "ANYTEK" Mark  
 Any special item by customer request. please contact sales department.

**ANYTEK**

**CUSTOMER COPY**

ALL RIGHTS RESERVED. REPRODUCTION OR ISSUE TO THIRD PARTIES IN ANY FORM WHATSOEVER IS NOT PERMITTED WITHOUT WRITTEN AUTHORITY FROM THE PROPRIETOR. PROPERTY OF ANYTEK TECHNOLOGY CO., LTD

TITLE				VK-5.0 Series Open type			
PART NO.		VKxx70x0xxxxG		DWG NO.		8VK0202	
APPROVED	CHECKED	DESIGNED	DRAWN	CUST NO.		Tolerance	
		Jacke 2010.10.11	Jacke 2009.10.27			UNIT: mm	
						SHEET: 01/01	
						X. ±0.50	
						X.X ±0.30	
						X.XX ±0.10	
						X° ±1°	