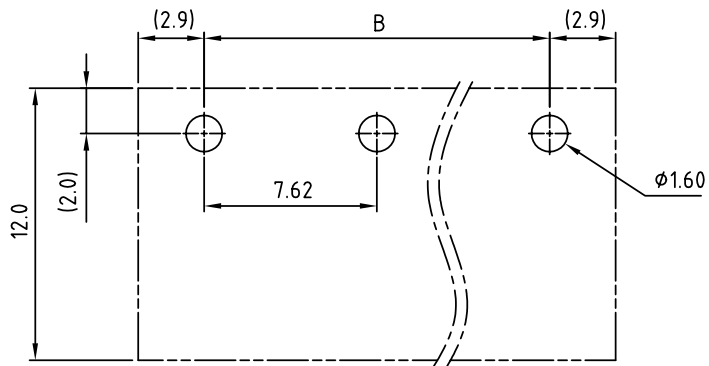
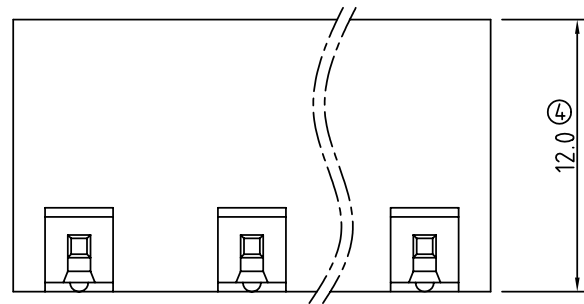
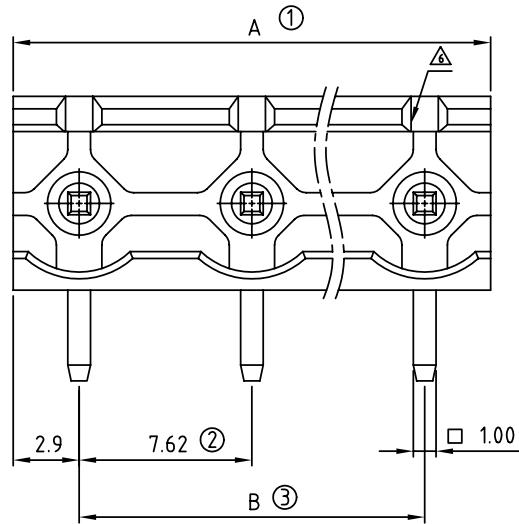
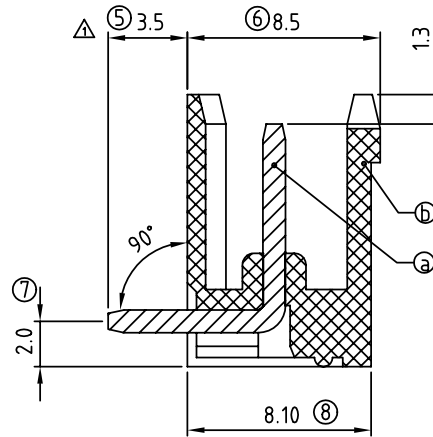


SIGN	DATE	DESCRIPTION	APPROVER
△	1/26'07	Dimension changed from 4.0 to 3.5	Tony
△	1/26'07	Soldering temperature changed from 245° to 250°	Tony
△	04/08'09	Add TUV standard	Jacke
△	04/08'09	Add the tolerance table	Jacke
△	2009.10.21	The material is changed from Brass to Copper	Jacke
△	2010.12.08	The design is changed	Chen Bo

THIS IS CAD DRAWING, DO NOT REVISE MANUALLY!!!



RECOMMENDED PCB LAYOUT



DIMENSION △

A	(N-1)X7.62+5.8
B	(N-1)X7.62

N= NUMBER OF CONCATS

Poles	Tolerance
2P-6P	±0.20
7P-12P	±0.30
13P-16P	±0.40

Material:

- △ ● Item ① Male contact pin: Copper Tin plated
- Item ② Terminal(housing): Thermoplastic (UL94 V-0)

Electrical: cULus TUV

- Voltage rating: 300V 750V
- Current rating: 20A 15A
- Withstanding Voltage: 1.6 KV 6KV
- Operating temperature: -40°C to +115°C
- △ ● Soldering temperature: 250°C±10°C/5 Sec
- △ ● Safety Approval:

OQ xx 0 0 x 1 xxxx G

No. OF POLES
02: 2 POLES
:
16: 16 POLES

COLOR
0 Black (RAL9005)
2 Red (RAL3001/D)
3 Orange(RAL2011/P)
4 Yellow(RAL1018/A)
5 Green(RAL6018/T)
6 Blue (RAL5015/A)
8 Grey(RAL7035/D)

G: Pb<4000ppm
0000: "@" Logo (Standard)
000A: "ANYTEK" Mark
Any special item by customer request. please contact sales department.

ANYTEK

CUSTOMER COPY

ALL RIGHTS RESERVED. REPRODUCTION OR ISSUE TO THIRD PARTIES IN ANY FORM WHATSOEVER IS NOT PERMITTED WITHOUT WRITTEN AUTHORITY FROM THE PROPRIETOR. PROPERTY OF ANYTEK TECHNOLOGY CO., LTD

TITLE		OQ 7.62mm 90° /Open Series 2p-16p				
PART NO.		OQxx00x1xxxxG		DWG NO.	80Q0303	
APPROVED	CHECKED	DESIGNED	DRAWN	CUST NO.		
			Chen Bo 2010.12.08		Tolerance	
					UNIT: mm	X. ±0.50
				SHEET: 01/01	SCALE: NONE	X.X ±0.30
				REV.: G		X.XX ±0.10
						X° ±1°