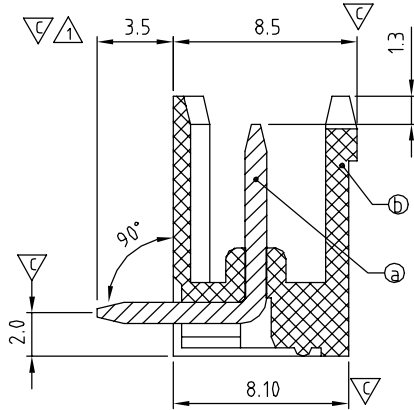
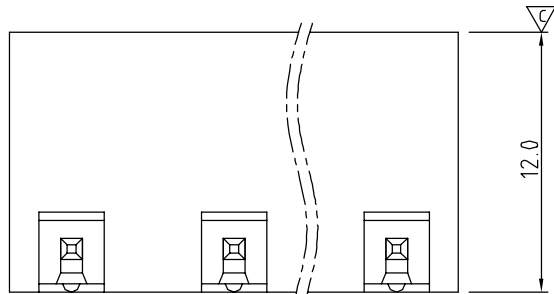
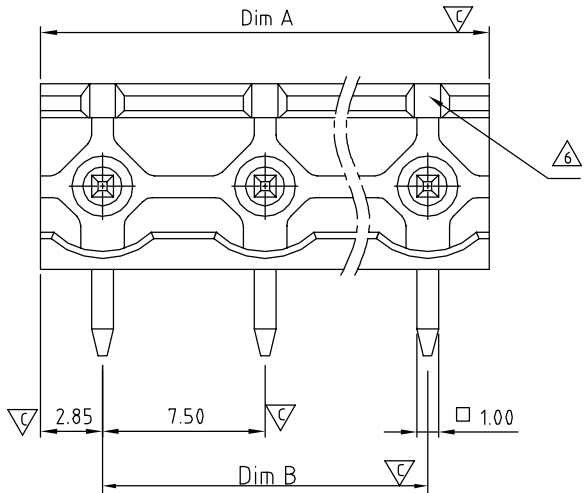


SIGN	DATE	DESCRIPTION	APPROVER
△	1/26'07	Dimension changed from 4.0 to 3.5	Tony
△	1/26'07	Soldering temperature changed from 245° to 250°	Tony
△	4/08'09	Added UL And TUV standard	Jacke
△	4/08'09	Add the tolerance table	Jacke
△	2009.10.21	The material is changed from Brass to Copper	Jacke
△	2010.12.08	The design is changed	Chen Bo
△	2012.08.22	The color is added	Chen Bo
△	2012.08.22	Changed from 250°C±10°/5 Sec to 260°C±5°C/5 Sec	Chen Bo

*THIS IS CAD DRAWING, DO NOT REVISE MANUALLY!!!*



Material:

- Item ③ Male contact pin: Copper Tin plated
- Item ④ Terminal (housing): Thermoplastic (UL94V-0)

Electrical: cULus TUV

- Voltage rating: 300V 750V
- Current rating: 20A 15A
- Withstanding Voltage: 1.6 KV 6KV
- Operating temperature: -40°C to +115°C

- Soldering temperature: 260°C±5°C/5 Sec
- Safety Approval:
- Critical dimension: ▽

**OQ xx A 0 x 1 xxxx G**

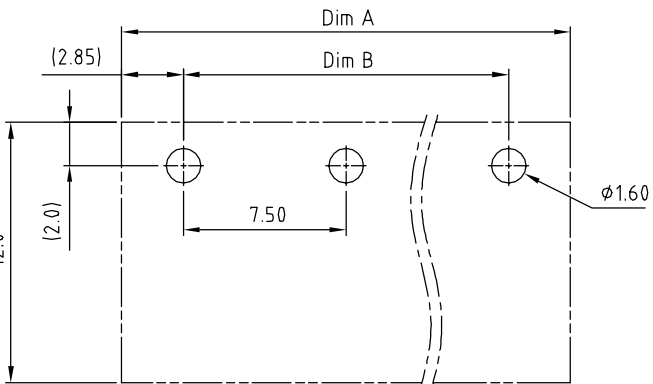
No. OF POLES  
02: 2 POLES  
...  
16: 16 POLES

COLOR

- 0 Black (RAL9005)
- 2 Red (RAL3001/D)
- 3 Orange(RAL2011/P)
- 4 Yellow(RAL1018/A)
- 5 Green(RAL6018/T)
- 6 Blue (RAL5015/A)
- 8 Grey(RAL7035/D)
- C Green(RAL6018/U)

G RoHS compliant (lead<4%)  
In copper Alloy

0000: "@ " Logo (Standard)  
000A: "ANYTEK" Mark  
Any special item by customer request.  
please contact sales department.



RECOMMENDED PCB LAYOUT

**DIMENSION**

Dim A	(N-1)X7.5+5.7
Dim B	(N-1)X7.5

N= NUMBER OF CONCATS

Poles	Tolerance
2P-6P	±0.20
7P-12P	±0.30
13P-16P	±0.40

**ANYTEK**

**CUSTOMER COPY**

ALL RIGHTS RESERVED. REPRODUCTION OR ISSUE TO THIRD PARTIES IN ANY FORM WHATSOEVER IS NOT PERMITTED WITHOUT WRITTEN AUTHORITY FROM THE PROPRIETOR. PROPERTY OF ANYTEK TECHNOLOGY CO., LTD

TITLE		OQ 7.5mm 90° /Open Series 2p-16p				
PART NO.		OQxxA0x1xxxxG		DWG NO.	80Q0803	
APPROVED	CHECKED	DESIGNED	DRAWN	CUST NO.	Tolerance	
		Chen Bo 08/22'12	Chen Bo 08/22'12		X. ±0.50	
					UNIT: mm	X.X ±0.30
					SCALE: NONE	X.XX ±0.10
				SHEET: 01/01	REV.: G	X° ±1°