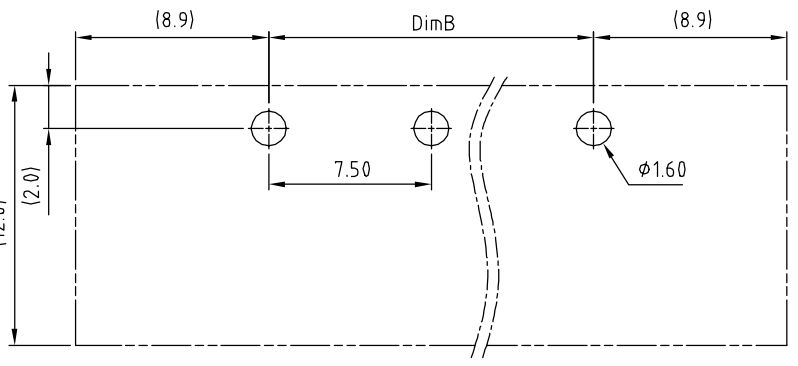
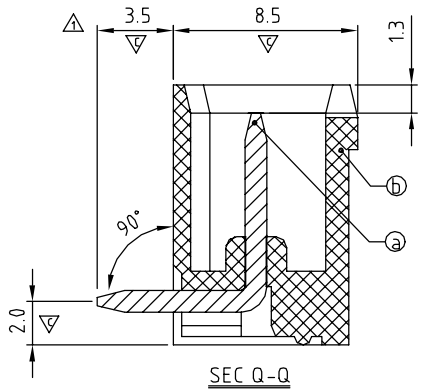
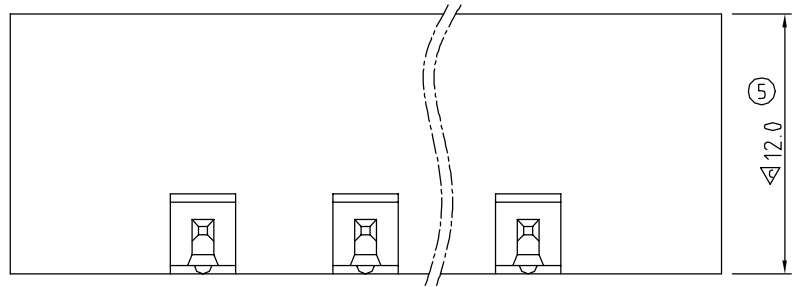


DIMENSION

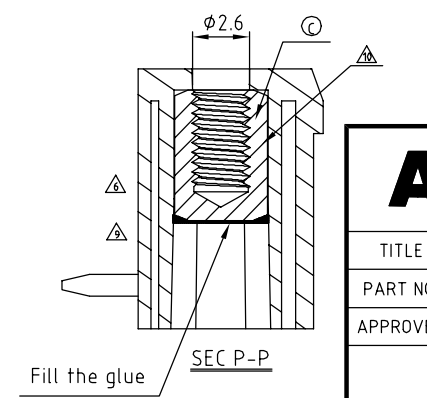
A	$(N+1) \times 7.5 + 2.8$
B	$(N-1) \times 7.5$

N= NUMBER OF CONCATS

Poles	Tolerance
2P-6P	± 0.15
7P-12P	± 0.20
13P-16P	± 0.30



RECOMMENDED PCB LAYOUT



SIGN	DATE	DESCRIPTION	APPROVER
△	1/26'07	Dimension changed from 4.0 to 3.5	Tony
△	1/26'07	Soldering temperature changed from 245° to 250°	Tony
△	6/30'08	Operating temperature is changed	Marvin
△	6/30'08	With flange body is changed	Marvin
△	4/08'09	Added UL And TUV standard	Jacke
△	2009.09.24	The design is changed from the round hole to hexagonal hole	Jacke
△	2009.10.21	The material is changed from Brass to Copper	Jacke
△	2010.12.08	The design is changed	Chen Bo
△	2010.12.08	The design is changed	Chen Bo
△	12/05'11	Flange nut is changed	ChenMing

THIS IS CAD DRAWING, DO NOT REVISE MANUALLY!!!

- Material:**
- Item A Male contact pin: Copper Tin plated
 - Item B Terminal (housing): Thermoplastic (UL94V-0)
 - Item C With flange nut: Brass M2.5
- Electrical:**
- | | | |
|--------------------------|----------------------|------|
| | cULus | TUV |
| ● Voltage rating: | 300V | 750V |
| ● Current rating: | 20A | 15A |
| ● Withstanding Voltage: | 1.6 KV | 6KV |
| ● Operating temperature: | -40°C to +115°C | |
| ● Soldering temperature: | 250°C ± 10°C / 5 Sec | |
| ● Safety Approval: | | |
| ● Critical dimension: | ▽ | |

OQ xx A 5 x 1 xxxx G

- No. OF POLES
- 02: 2 POLES
 - :
 - :
 - 16: 16 POLES
- COLOR
- 0 Black (RAL9005)
 - 2 Red (RAL3001/D)
 - 3 Orange (RAL2011/P)
 - 4 Yellow (RAL1018/A)
 - 5 Green (RAL6018/T)
 - 6 Blue (RAL5015/A)
 - 8 Grey (RAL7035/D)
- G: Pb < 40000ppm
- 0000: "@ Logo (Standard)
- 000A: "ANYTEK" Mark
- Any special item by customer request, please contact sales department.

		CUSTOMER COPY <small>ALL RIGHTS RESERVED. REPRODUCTION OR ISSUE TO THIRD PARTIES IN ANY FORM WHATSOEVER IS NOT PERMITTED WITHOUT WRITTEN AUTHORITY FROM THE PROPRIETOR. PROPERTY OF ANYTEK TECHNOLOGY CO., LTD</small>	
PART NO. OQxxA5x1xxxxG		DWG NO. 80Q0805	
APPROVED	CHECKED	DESIGNED	DRAWN
			ChenMing 2011.12.05
SHEET: 01/01		Tolerance	
UNIT: mm		X. ±0.50	
SCALE: NONE		X.X ±0.30	
REV.: I		X.XX ±0.10	
		X° ±1°	