

SIGN	DATE	DESCRIPTION	APPROVER
△	1/25'07	Dimension changed from 4.0 to 3.5	Tony
△	1/25'07	Soldering temperature changed from 245° to 250°	Tony
△	4/08'09	Added TUV standard	Jacke
△	4/08'09	Add the tolerance table	Jacke
△	2009.10.21	The material is changed from Brass to Copper	Jacke
△	2010.12.08	The design is changed	Chen Bo

THIS IS CAD DRAWING, DO NOT REVISE MANUALLY!!!

Material:

- △ ● Item ① Male contact pin: Copper Tin plated
- Item ② Terminal (housing): PBT (UL94V-0)

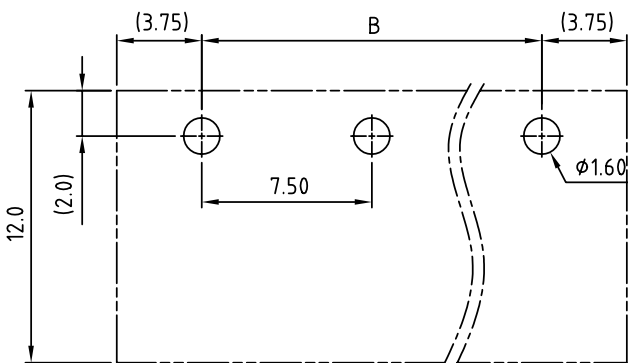
Electrical:	cULus	TUV
● Voltage rating:	300V	750V
● Current rating:	20A	15A
● Withstanding Voltage:	1.6 KV	6KV
△ ● Operating temperature:	-40°C to +115°C	
● Soldering temperature:	250°C±10°C/5 Sec	
△ ● Safety Approval:		

OQ xx A 1 x 1 xxxx G

No. OF POLES
02: 2 POLES
:
16: 16 POLES

- COLOR
- 0 Black (RAL9005)
 - 2 Red (RAL3001/D)
 - 3 Orange(RAL2011/P)
 - 4 Yellow(RAL1018/A)
 - 5 Green(RAL6018/T)
 - 6 Blue (RAL5015/A)
 - 8 Grey(RAL7035/D)

G: Pb<4000ppm
0000: "@" Logo (Standard)
000A: "ANYTEK" Mark
Any special item by customer request. please contact sales department.



RECOMMENDED PCB LAYOUT

DIMENSION △

A	NX7.5
B	(N-1)X7.5

N= NUMBER OF CONCATS

Poles	Tolerance
2P-6P	±0.20
7P-12P	±0.30
13P-16P	±0.40

ANYTEK

CUSTOMER COPY

ALL RIGHTS RESERVED. REPRODUCTION OR ISSUE TO THIRD PARTIES IN ANY FORM WHATSOEVER IS NOT PERMITTED WITHOUT WRITTEN AUTHORITY FROM THE PROPRIETOR. PROPERTY OF ANYTEK TECHNOLOGY CO., LTD

TITLE		OQ 7.5mm 90° /Close Series				
PART NO.		OQxxA1x1xxxxG		DWG NO.		80Q0801
APPROVED	CHECKED	DESIGNED	DRAWN	CUST NO.		Tolerance
			Chen Bo 2010.12.08			X. ±0.50
				SHEET: 01/01		X.X ±0.30
				REV.: F		X.XX ±0.10
						X° ±1°