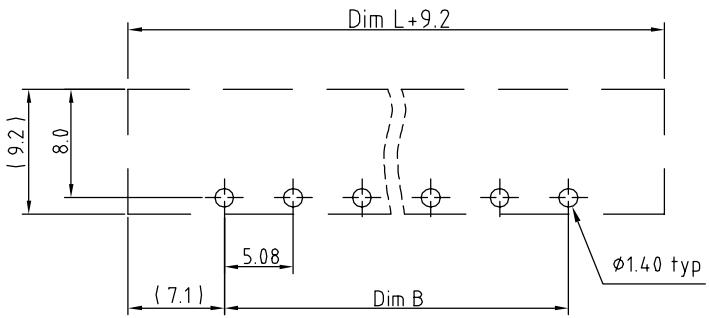
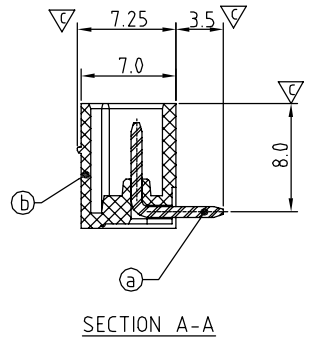
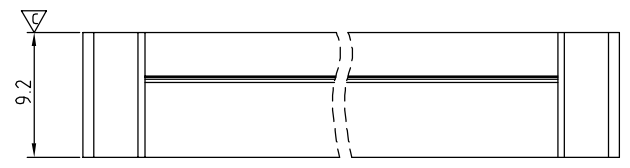
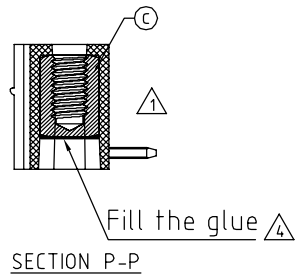
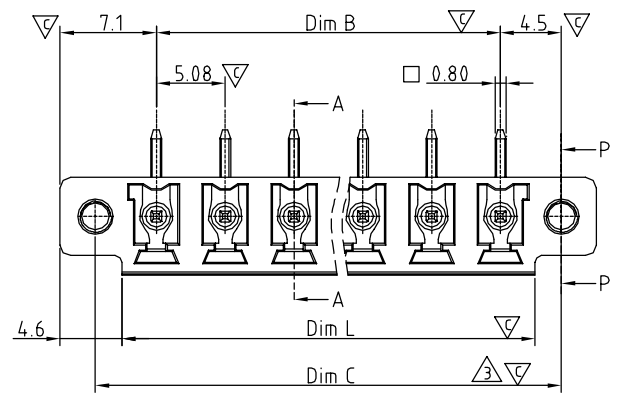


SIGN	DATE	DESCRIPTION	APPROVER
△	2009.7.6	The design is changed from the round hole to hexagonal hole.	Jacke
△	2009.12.22	Add UL standard	Jacke
△	04/28`12	The dimension Dim C is added	Chen Bo
△	04/28`12	Flange nut is changed	Chen Bo
△	04/28`12	The Material is changed	Chen Bo

THIS IS CAD DRAWING, DO NOT REVISE MANUALLY!!!



N = Number of poles
 Dim L = N x 5.08
 Dim B = (N - 1) x 5.08
 Dim C = (N - 1) x 5.08 + 9.2

	Dim L	Dim B	Dim C
2-5p	±0.15	±0.15	±0.15
6-10p	±0.25	±0.25	±0.25
11-15p	±0.30	±0.30	±0.30
16-24p	±0.40	±0.40	±0.40

Material:

- △ Item a Male contact pin: Copper, Tin plated
- △ Item b Terminal(housing): Thermoplastic (UL94V-0)
- △ Item c With flange nut: Brass ,M2.5

Electrical:

- Voltage rating: 300V
- Current rating: 10A
- Withstanding Voltage: 1.6 KV
- Operating temperature: -40°C to +115°C
- Soldering temperature: 250°C±10°C/5 Sec
- Safety Approval:
- Critical dimension: ∇

VS xx 52x 1 xxxx G

- Solid Block
- 02 2 CONTACTS
- 03 3 CONTACTS
-
- 24 24 CONTACTS

COLOR

- 0 Black (RAL9005)
- 2 Red (RAL3001/D)
- 3 Orange(RAL2011/P)
- 4 Yellow(RAL1018/A)
- 5 Green(RAL6018/T)
- 6 Blue (RAL5015/A)
- 8 Grey(RAL7035/D)

- G RoHS compliant (lead<4%) In copper Alloy
- 0000 Standard @ Logo
- 000A Standard ANY Logo
- Any special item by customer request, please contact sales department.

<h1>ANYTEK</h1>				<h2>CUSTOMER COPY</h2>			
ALL RIGHTS RESERVED. REPRODUCTION OR ISSUE TO THIRD PARTIES IN ANY FORM WHATSOEVER IS NOT PERMITTED WITHOUT WRITTEN AUTHORITY FROM THE PROPRIETOR. PROPERTY OF ANYTEK TECHNOLOGY CO., LTD							
TITLE		VS 5.08 Series Right-angle (With flange)					
PART NO.		VSxx52x1xxxxG			DWG NO.		8VS0004
APPROVED		DESIGNED	DRAWN	CUST NO.		Tolerance	
		Chen Bo 04/28`12	Chen Bo 04/28`12			X. ±0.50	
				UNIT: mm SCALE: NONE SHEET: 01/01 REV.: E		X.X ±0.30	
						X.XX ±0.10	
						X° ±1°	