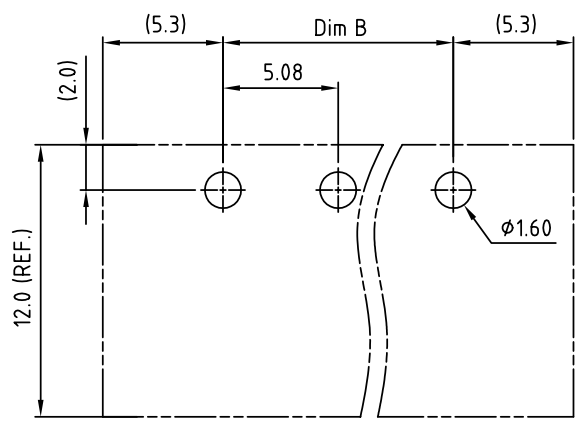
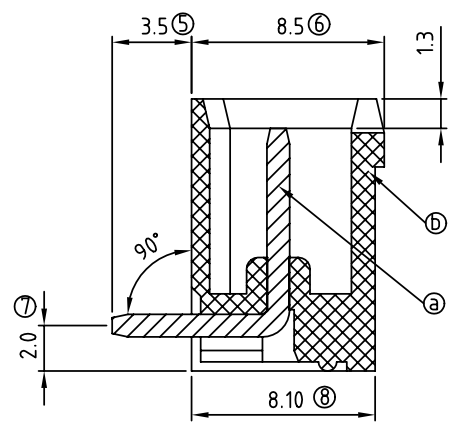
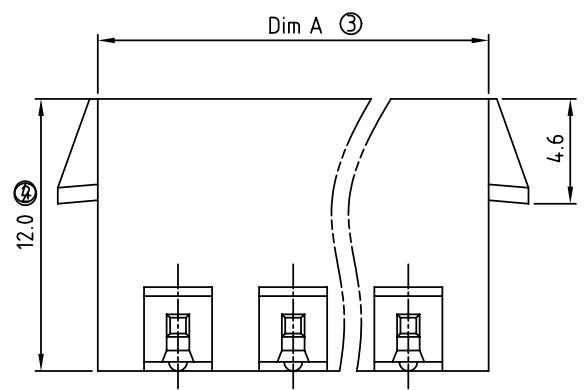
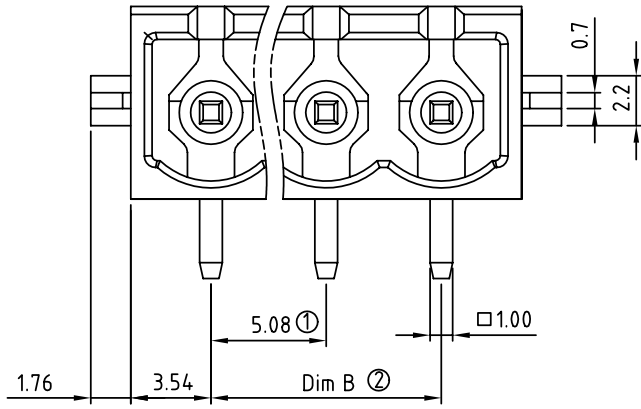


SIGN	DATE	DESCRIPTION	APPROVER
△			
THIS IS CAD DRAWING, DO NOT REVISE MANUALLY!!!			



RECOMMENDED PCB LAYOUT

N = Number of poles
 Dim A = N x 5.08 + 2
 Dim B = (N - 1) x 5.08

	Dim A	Dim B
2-6p	±0.15	±0.15
7-12p	±0.20	±0.20
13-18p	±0.30	±0.30
19-24p	±0.40	±0.40

Material:

- Item (a) Male contact pin: Copper Tin plated
- Item (b) Terminal(housing): Thermoplastic (UL94V-0)

Electrical:

- Voltage rating: 300V/300V/300V
- Current rating: 20A/20A/20A
- Withstanding Voltage: 1.6 KV/2.5KV/2.5KV
- Operating temperature: -40°C to +115°C
- Soldering temperature: 250°C ± 10°C / 5 Sec
- Safety Approval:

OQ xx 5 4 x 1 x 3xx G

No. OF POLES
 02: 2 POLES
 :
 :
 24: 24 POLES

COLOR
 0 Black (RAL9005)
 2 Red (RAL3001/D)
 3 Orange (RAL2011/P)
 4 Yellow (RAL1018/A)
 5 Green (RAL6018/T)
 6 Blue (RAL5015/A)
 8 Grey (RAL7035/D)

G: Pb < 40000ppm
 0300: "@" Logo (Standard)
 030A: "ANYTEK" Mark
 Any special item by customer request, please contact sales department.

ANYTEK

CUSTOMER COPY

ALL RIGHTS RESERVED. REPRODUCTION OR ISSUE TO THIRD PARTIES IN ANY FORM WHATSOEVER IS NOT PERMITTED WITHOUT WRITTEN AUTHORITY FROM THE PROPRIETOR. PROPERTY OF ANYTEK TECHNOLOGY CO., LTD

TITLE		OQ 5.08mm Right-angle /Close Series 2p-24p(with latch holder)			
PART NO.		OQxx54x1x3xxG		DWG NO.	80Q07074
APPROVED	CHECKED	DESIGNED	DRAWN	CUST NO.	Tolerance
		Jacke	Jacke		X. ±0.50
		2010.03.22	2009.10.22		X.X ±0.30
					X.XX ±0.10
				SHEET: 01/01	REV.: B
				UNIT: mm	X° ±1°
				SCALE: NONE	