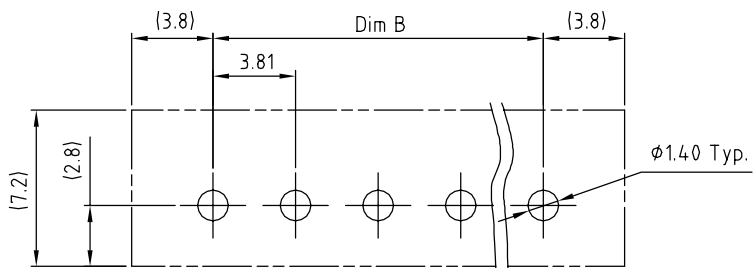
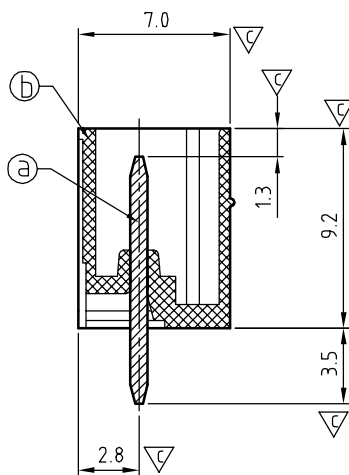
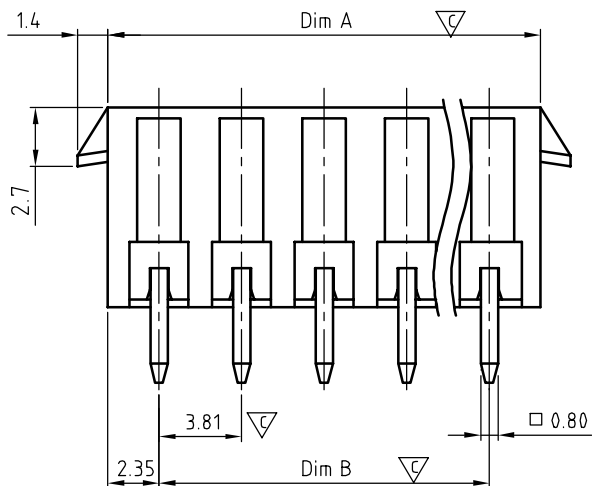


DIMENSION

Dim A	$(N-1) \times 3.81 + 4.70$
Dim B	$(N-1) \times 3.81$
Dim C	$(N-1) \times 3.81$

N= NUMBER OF CONCATS

Poles	Tolerance
2P-6P	± 0.15
7P-12P	± 0.20
13P-16P	± 0.25
17P-24P	± 0.35



RECOMMENDED PCB LAYOUT

SIGN	DATE	DESCRIPTION	APPROVER
△	03/24'12	Part No. is changed	Aaron
△	2012.05.22	Voltage rating is changed	Chen Bo
△			
△			

THIS IS CAD DRAWING, DO NOT REVISE MANUALLY!!!

Material:

- Item ① Male contact pin: Copper Tin plated
- Item ② Terminalhousing): Thermoplastic (UL94V-0)

- Electrical:
- Voltage rating: 300V/300V
 - Current rating: 10A/10.5A
 - Withstanding Voltage: 1.6 KV/2.5KV
 - Operating temperature: -40°C to +115°C
 - Soldering temperature: 250°C \pm 10°C/5 Sec
 - Safety Approval:
 - Critical dimension: ∇

OQ xx 3 2 x 0 xxxx G

No. OF POLES
02: 2 POLES
:
24: 24 POLES

COLOR
0 Black (RAL9005)
2 Red (RAL3001/D)
3 Orange(RAL2011/P)
4 Yellow(RAL1018/A)
5 Green(RAL6018/T)
6 Blue (RAL5015/A)
8 Grey(RAL7035/D)
9 White(RAL1102)
C Green(RAL6018/U)

G RoHS compliant (lead<4%)
In copper Alloy
0300: "@ " Logo (Standard)
030A: "ANYTEK" Mark
Any special item by customer request, please contact sales department.

ANYTEK

CUSTOMER COPY

ALL RIGHTS RESERVED. REPRODUCTION OR ISSUE TO THIRD PARTIES IN ANY FORM WHATSOEVER IS NOT PERMITTED WITHOUT WRITTEN AUTHORITY FROM THE PROPRIETOR. PROPERTY OF ANYTEK TECHNOLOGY CO., LTD

TITLE		OQ 3.81mm Series 180° (2P-24P) ---With hook			
PART NO.		OQxx32x00300G/AG		DWG NO.	80Q0617
APPROVED	CHECKED	DESIGNED	DRAWN	CUST NO.	Tolerance
		Chen Bo 05/23'12	Chen Bo 05/23'12		X. ± 0.50
					UNIT: mm
				SHEET: 01/01	SCALE: NONE
				REV.: D	X.XX ± 0.10
					X° $\pm 1°$