

DIMENSION

Dim A	$(N-1) \times 3.81 + 4.70$
Dim B	$(N-1) \times 3.81$
Dim C	$(N-1) \times 3.81$

N= NUMBER OF CONCATS

Poles	Tolerance
2P-6P	± 0.15
7P-12P	± 0.20
13P-16P	± 0.25
17P-24P	± 0.35

SIGN	DATE	DESCRIPTION	APPROVER
△	03/24'12	Part No. is changed	Aaron
△	2012.05.22	Voltage rating is changed	Chen Bo
△			
△			

THIS IS CAD DRAWING, DO NOT REVISE MANUALLY!!!

Material:

- Item ③ Male contact pin: Copper C1100 Tin plated
- Item ④ Terminalhousing: Thermoplastic (UL94V-0)

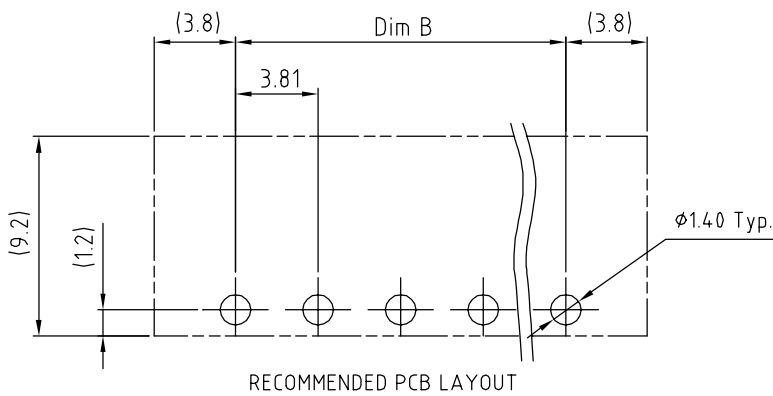
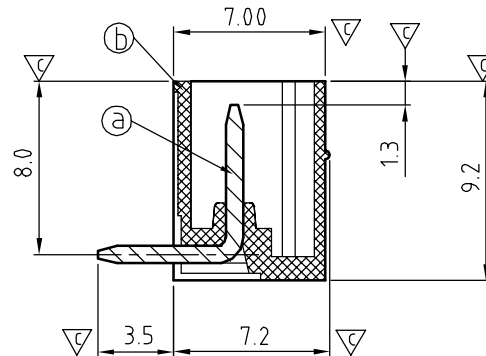
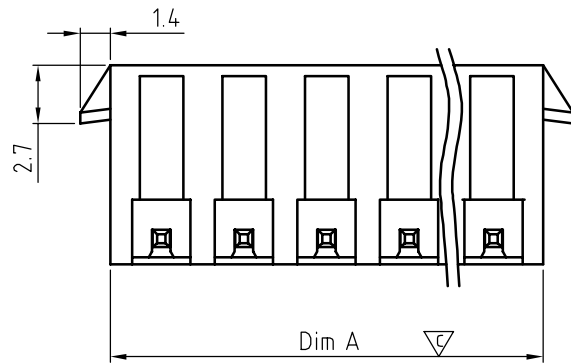
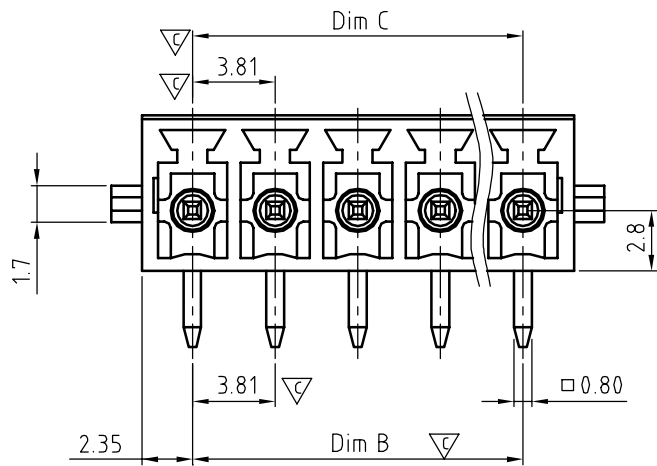
- Electrical: cULus /VDE
- Voltage rating: 300V/300V
 - Current rating: 10A/10.5A
 - Withstanding Voltage: 1.6 KV/2.5KV
 - Operating temperature: -40°C to +115°C
 - Soldering temperature: 250°C \pm 10°C/5 Sec
 - Safety Approval: cULus VDE
 - Critical dimension: ∇

OQ xx 3 2 x 1 xxxx G

No. OF POLES
02: 2 POLES
:
24: 24 POLES

- COLOR
- 0 Black (RAL9005)
 - 2 Red (RAL3001/D)
 - 3 Orange(RAL2011/P)
 - 4 Yellow(RAL1018/A)
 - 5 Green(RAL6018/T)
 - 6 Blue (RAL5015/A)
 - 8 Grey(RAL7035/D)
 - 9 White(RAL1102)
 - C Green(RAL6018/U)

G RoHS compliant (lead<4%)
In copper Alloy
0300: "@" Logo (Standard)
030A: "ANYTEK" Mark
Any special item by customer request. please contact sales department.



ANYTEK				CUSTOMER COPY			
ALL RIGHTS RESERVED. REPRODUCTION OR ISSUE TO THIRD PARTIES IN ANY FORM WHATSOEVER IS NOT PERMITTED WITHOUT WRITTEN AUTHORITY FROM THE PROPRIETOR. PROPERTY OF ANYTEK TECHNOLOGY CO., LTD							
TITLE	OQ 3.81mm Series 90° (2P-24P) ---With hook						
PART NO.	OQxx32x10300G/AG			DWG NO.	80Q.0616		
APPROVED	CHECKED	DESIGNED	DRAWN	CUST NO.	Tolerance		
		Chen Bo 05/23'12	Chen Bo 05/23'12		X. ± 0.50		
					X.X ± 0.30		
					X.XX ± 0.10		
				SHEET: 01/01	X° $\pm 1^\circ$		
				UNIT: mm			
				SCALE: NONE			
				REV.: D			