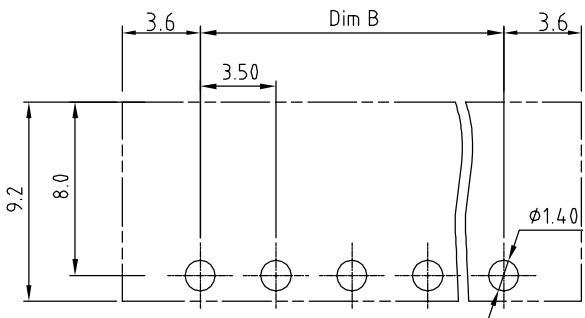
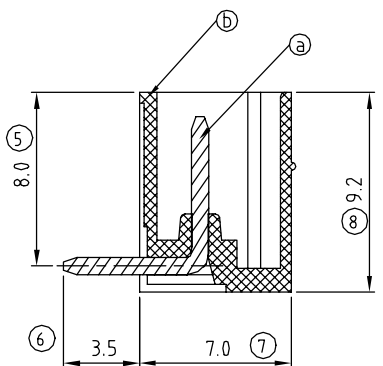
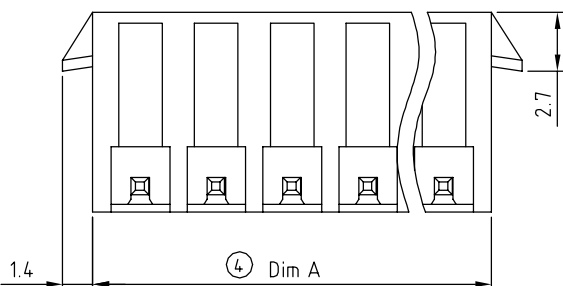
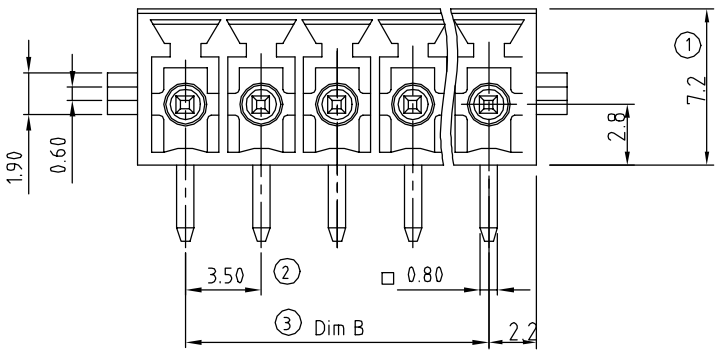


SIGN	DATE	DESCRIPTION	APPROVER
△			
THIS IS CAD DRAWING, DO NOT REVISE MANUALLY!!!			



RECOMMENDED PCB LAYOUT

DIMENSION

Dim A	(N-1)×3.5+4.4
Dim B	(N-1)×3.5

N= NUMBER OF CONCATS

Poles	Tolerance
2P-6P	±0.15
7P-12P	±0.20
13P-18P	±0.25
19P-24P	±0.30

Material:

- Item (a) Male contact pin: Copper Tin plated
- Item (b) Terminal (housing): Thermoplastic (UL94V-0)

Electrical:

- Voltage rating: 300V/300V
- Current rating: 10A/10.5A
- Withstanding Voltage: 1.6 KV/2.5KV
- Operating temperature: -40°C to +115°C
- Soldering temperature: 250°C±10°C/5 Sec
- Safety Approval:

OQ xx 1 2 x 1 x3xx G

- No. OF POLES: 02: 2 POLES, 24: 24 POLES
 - Color: 0 Black (RAL9005), 2 Red (RAL3001/D), 3 Orange(RAL2011/P), 4 Yellow(RAL1018/A), 5 Green(RAL6018/T), 6 Blue (RAL5015/A), 8 Grey(RAL7035/D)
 - G: Pb<40000ppm, 0300: "@ " Logo, 030A: "ANYTEK" Logo
- Any special item by customer request, please contact sales department.

ANYTEK		CUSTOMER COPY	
TITLE: OQ 3.5mm Series 2P-24P Right angle With latch holder			
PART NO. OQxx12x1x3xxG		DWG NO. 80Q.04111	
APPROVED	CHECKED	DESIGNED	DRAWN
		Aaron 2009.02.23	Jacke 2009.12.09
SHEET: 01/01		Tolerance	
		UNIT: mm	X. ±0.50
		SCALE: NONE	X.X ±0.30
		REV.: B	X.XX ±0.10
		X° ±1°	