


SIGN	DATE	DESCRIPTION	APPROVER
△	1/27'07	Soldering temperature changed from 245° to 250°	Tony
△	6/03'09	The operating temperature is changed	Jacke
△	6/03'09	Add the tolerance table	Jacke
△	10/10'13	Update the drawing	Chen Bo

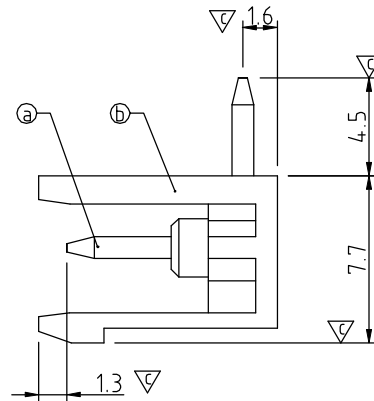
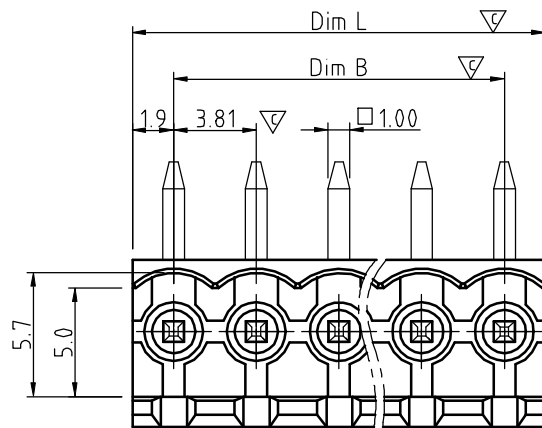
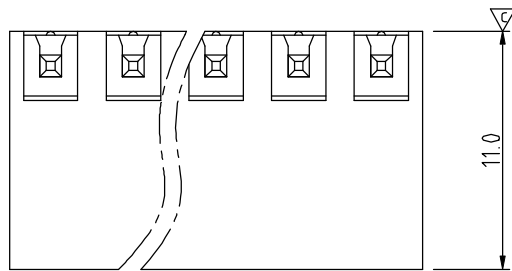
THIS IS CAD DRAWING, DO NOT REVISE MANUALLY!!!

Material:

- Item ③ Contact pin: Copper, Tin plated
- Item ④ Insulator(housing): Thermoplastic (UL94 V-0)

Electrical: cULus

- Voltage rating: 300V
- Current rating: 8A
- Withstanding Voltage: 1.6 KV
- △● Operating temperature: -40°C to +115°C
- △● Soldering temperature: 260°C±5°C/5 Sec
- Safety Approval: 
- Critical dimension: ▽



VE xx 3 0 x 1 xxxx G

No. OF POLES
02: 2 POLES
:
24: 24 POLES

- 0 Black (RAL9005)
- 2 Red (RAL3001/D)
- 3 Orange(RAL2011/P)
- 4 Yellow(RAL1018/A)
- 5 Green(RAL6018/T)
- 6 Blue (RAL5015/A)
- 8 Grey(RAL7035/D)
- 9 White(RAL1102)
- C Green(RAL6018/U)

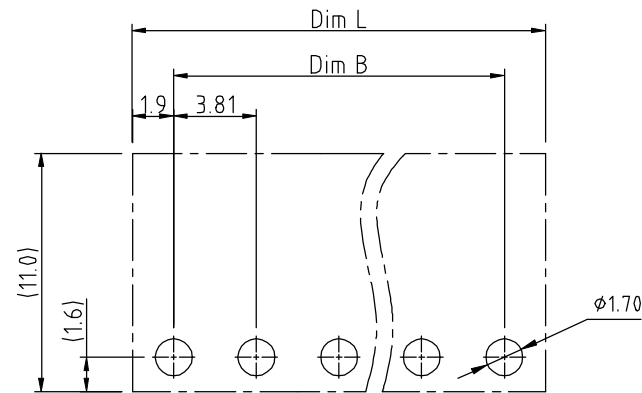
G RoHS compliant (lead<4%)
In copper Alloy
0000: "@" Logo (Standard)
000A: "ANYTEK" Mark
Any special item by customer request. please contact sales department.

DIMENSION

Dim A	N×3.81
Dim B	(N-1)×3.81

N= NUMBER OF POLES

Poles	Tolerance
2P-5P	±0.15
6P-10P	±0.20
11P-15P	±0.25
16P-20P	±0.30
21P-24P	±0.35



RECOMMENDED PCB LAYOUT

ANYTEK				CUSTOMER COPY			
				ALL RIGHTS RESERVED. REPRODUCTION OR ISSUE TO THIRD PARTIES IN ANY FORM WHATSOEVER IS NOT PERMITTED WITHOUT WRITTEN AUTHORITY FROM THE PROPRIETOR. PROPERTY OF ANYTEK TECHNOLOGY CO., LTD			
TITLE		VE-3.81 Series 90° (open)					
PART NO.		VExx30x1xxxxG			DWG NO.		8VE0002
APPROVED		DESIGNED	DRAWN	CUST NO.		Tolerance	
		Chen Bo 10/10'13	Chen Bo 10/10'13			UNIT: mm	X. ±0.50
				SHEET: 01/01		SCALE: NONE	X.X ±0.30
						REV.: F	X.XX ±0.10
							X° ±1°