


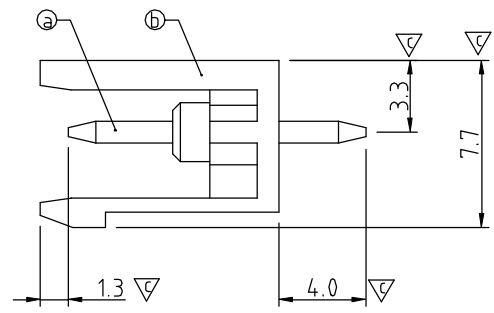
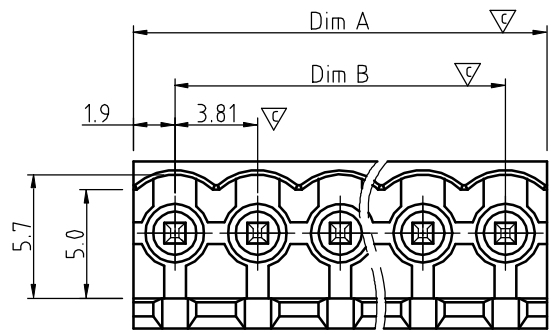
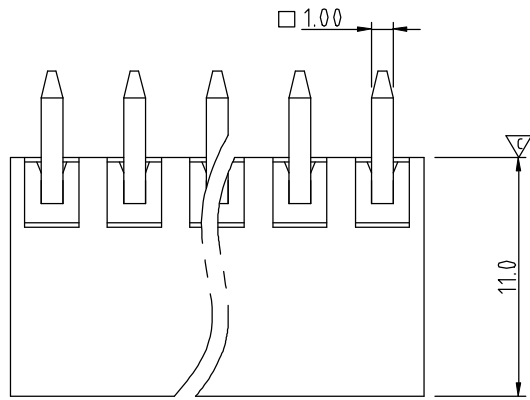
SIGN	DATE	DESCRIPTION	APPROVER
△	1/27/07	Soldering temperature changed from 245° to 250°	Tony
△	10/10/13	Update the drawing	Chen Bo

THIS IS CAD DRAWING, DO NOT REVISE MANUALLY!!!

Material:

- Item ㉑ Contact pin: Copper Tin plated
- Item ㉒ Terminal(housing): Thermoplastic (UL94V-0)

- Electrical: cULus
- Voltage rating: 300V
 - Current rating: 8A
 - Withstanding Voltage: 1.6 KV
 - Operating temperature: -40°C to +115°C
 - Soldering temperature: 260°C±5°C/5 Sec
 - Safety Approval: 
 - Critical dimension: ▽



VE xx 3 0 x 0 xxxx G

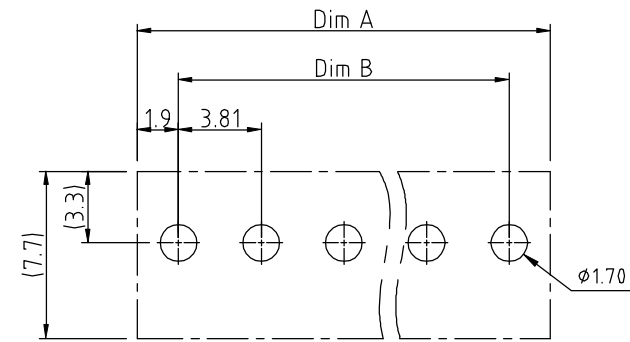
- | | | |
|--------------|---------------------|---------------------------------------|
| No. OF POLES | | G RoHS compliant (lead<4%) |
| 02: 2 POLES | | In copper Alloy |
| ... | | 0000: "@" Logo (Standard) |
| 24: 24 POLES | 0 Black (RAL9005) | 000A: "ANYTEK" Mark |
| | 2 Red (RAL3001/D) | Any special item by customer request. |
| | 3 Orange(RAL2011/P) | please contact sales department. |
| | 4 Yellow(RAL1018/A) | |
| | 5 Green(RAL6018/T) | |
| | 6 Blue (RAL5015/A) | |
| | 8 Grey(RAL7035/D) | |
| | 9 White(RAL1102) | |
| | C Green(RAL6018/U) | |

DIMENSION

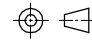
Dim A	N×3.81
Dim B	(N-1)×3.81

N= NUMBER OF POLES

Poles	Tolerance
2P-5P	±0.15
6P-10P	±0.20
11P-15P	±0.25
16P-20P	±0.30
21P-24P	±0.35



RECOMMENDED PCB LAYOUT

ANYTEK				CUSTOMER COPY				
								ALL RIGHTS RESERVED. REPRODUCTION OR ISSUE TO THIRD PARTIES IN ANY FORM WHATSOEVER IS NOT PERMITTED WITHOUT WRITTEN AUTHORITY FROM THE PROPRIETOR. PROPERTY OF ANYTEK TECHNOLOGY CO., LTD
TITLE		VE-3.81 Series 180° (open)						
PART NO.		VExx30x0xxxxG			DWG NO.		8VE0001	
APPROVED		CHECKED	DESIGNED	DRAWN	CUST NO.		Tolerance	
			Chen Bo 10/10/13	Chen Bo 10/10/13	 UNIT: mm SCALE: NONE		X. ±0.50	
							SHEET: 01/01	
					REV.: E		X.XX ±0.10	
							X° ±1°	