


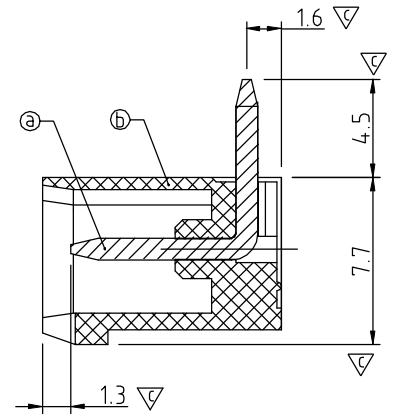
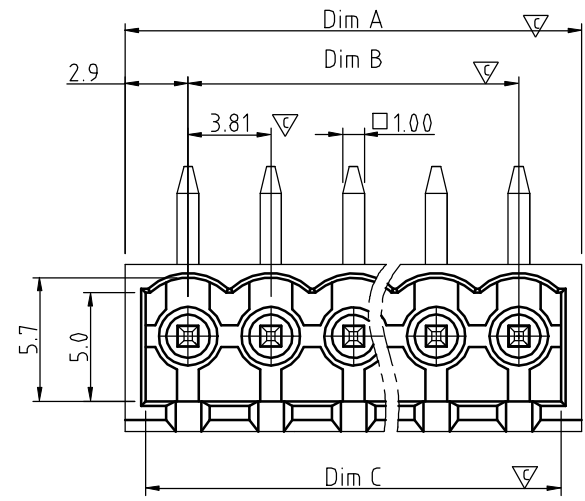
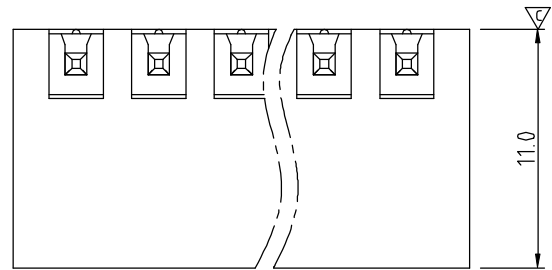
SIGN	DATE	DESCRIPTION	APPROVER
△	1/27/07	Soldering temperature changed from 245° to 250°	Tony
△	10/10/13	Update the drawing	Chen Bo

THIS IS CAD DRAWING, DO NOT REVISE MANUALLY!!!

Material:

- Item ① Contact pin: Copper, Tin plated
- Item ② Terminal(housing): Thermoplastic (UL94V-0)

- Electrical: cULus
- Voltage rating: 300V
  - Current rating: 8A
  - Withstanding Voltage: 1.6 KV
  - Operating temperature: -40°C to +115°C
  - Soldering temperature: 260°C±5°C/5 Sec
  - Safety Approval: 
  - Critical dimension: ▽



VE xx 3 1 x 1 xxxx G

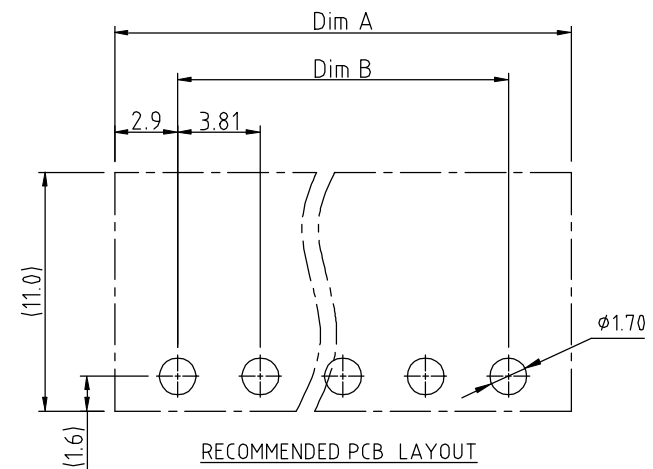
- |              |                     |                                       |
|--------------|---------------------|---------------------------------------|
| No. OF POLES |                     | G RoHS compliant (lead<4%)            |
| 02: 2 POLES  |                     | In copper Alloy                       |
| ⋮            |                     | 0000: "@" Logo (Standard)             |
| 24: 24 POLES | 0 Black (RAL9005)   | 000A: "ANYTEK" Mark                   |
|              | 2 Red (RAL3001/D)   | Any special item by customer request. |
|              | 3 Orange(RAL2011/P) | please contact sales department.      |
|              | 4 Yellow(RAL1018/A) |                                       |
|              | 5 Green(RAL6018/T)  |                                       |
|              | 6 Blue (RAL5015/A)  |                                       |
|              | 8 Grey(RAL7035/D)   |                                       |
|              | 9 White(RAL1102)    |                                       |
|              | C Green(RAL6018/U)  |                                       |

DIMENSION

Dim A	N×3.81+2
Dim B	(N-1)×3.81
Dim C	(N-1)×3.81+3.9

N= NUMBER OF POLES

Poles	Dim A	Dim B	Dim C
2P-5P	±0.15	+0.15 -0.0	
6P-10P	±0.20	+0.20 -0.0	
11P-15P	±0.25	+0.25 -0.0	
16P-20P	±0.30	+0.30 -0.0	
21P-24P	±0.35	+0.35 -0.0	



<b>ANYTEK</b>				<b>CUSTOMER COPY</b>			
ALL RIGHTS RESERVED. REPRODUCTION OR ISSUE TO THIRD PARTIES IN ANY FORM WHATSOEVER IS NOT PERMITTED WITHOUT WRITTEN AUTHORITY FROM THE PROPRIETOR. PROPERTY OF ANYTEK TECHNOLOGY CO., LTD							
TITLE		VE-3.81 Series 90° (Close)					
PART NO.		VExx31x1xxxxG			DWG NO.		8VE0004
APPROVED		CHECKED		DESIGNED		DRAWN	
		Chen Bo 10/10/13		Chen Bo 10/10/13		CUST NO.	
						Tolerance	
						X. ±0.50	
						X.X ±0.30	
						X.XX ±0.10	
						X° ±1°	
SHEET: 01/01				REV.: E			