

SIGN	DATE	DESCRIPTION	APPROVER
△	2010.10.23	Add UL standard	Jacke
△	2010.10.23	The material is changed from Brass to copper	Jacke

THIS IS CAD DRAWING, DO NOT REVISE MANUALLY!!!

Material

- △ ● Item ③ Male contact pin: Copper, Tin plated.
- Item ⑥ Terminal (housing): PA66 30%GF(UL94V-0)

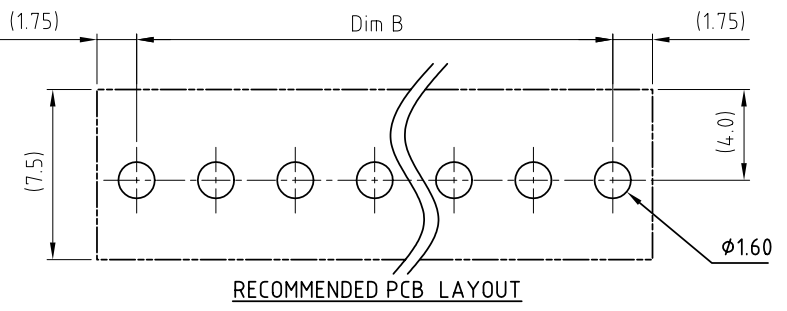
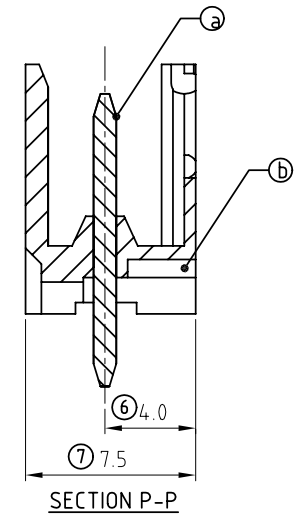
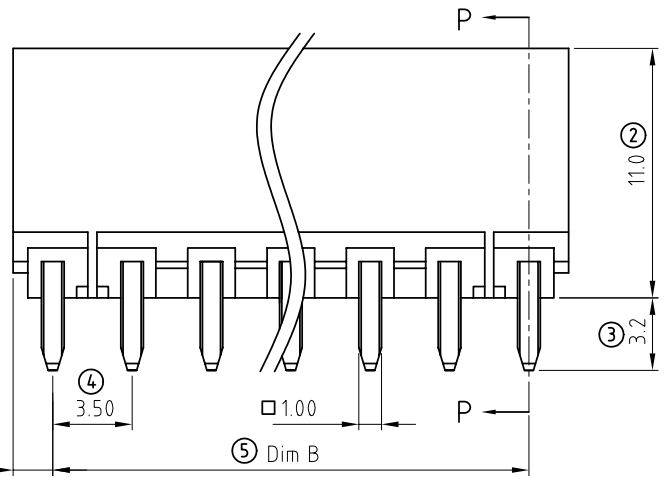
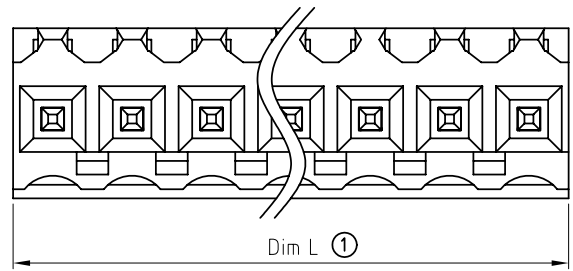
Electrical cULus / IEC

- Voltage rating: 300V/160V
- Current rating: 10A/13A
- Withstanding Voltage: 1.6KV/2.5KV
- Operating temperature: -40°C to +115°C
- Soldering temperature: 250°C±10°C/10 Sec
- △ ● Safety Approval: us

EL xx 11 x 2 xxxx G

- 02 2 POLES
- 03 3 POLES
-
- 24 24 POLES

- Pb < 40,000ppm (RoHS)
- 000 0 @ Logo
- 000 A ANY Logo
- Any special item by customer request, please contact sales department.
- Color**
- 0 Black (RAL9005)
- 2 Red (RAL3001/D)
- 3 Orange(RAL2011/P)
- 4 Yellow(RAL1018/A)
- 5 Green(RAL6018/T)
- 6 Blue (RAL5015/A)
- 8 Grey(RAL7035/D)



Poles	2p	3p	4p	5p	6p	7p	8p	9p	10p	11p	12p	13p
Dim L	7.00	10.5	14.0	17.5	21.0	24.5	28.0	31.5	35.0	38.5	42.0	45.5
Dim B	3.50	7.00	10.5	14.0	17.5	21.0	24.5	28.0	31.5	35.0	38.5	42.0
TOL	±0.15						±0.20					±0.25
Poles	14p	15p	16p	17p	18p	19p	20p	21p	22p	23p	24p	
Dim L	49.0	52.5	56.0	59.5	63.0	66.5	70.0	73.5	77.0	80.5	84.0	
Dim B	45.5	49.0	52.5	56.0	59.5	63.0	66.5	70.0	73.5	77.0	80.5	
TOL	±0.25						±0.30					

ANYTEK

CUSTOMER COPY

ALL RIGHTS RESERVED. REPRODUCTION OR ISSUE TO THIRD PARTIES IN ANY FORM WHATSOEVER IS NOT PERMITTED WITHOUT WRITTEN AUTHORITY FROM THE PROPRIETOR. PROPERTY OF ANYTEK TECHNOLOGY CO., LTD

TITLE		EL 3.5mm Vertical Open Dip TYPE Series									
PART NO.		ELxx11x2xxxx G				DWG NO.		8EL0105			
APPROVED		CHECKED	DESIGNED	DRAWN	CUST NO.						
			Jacke 2010.10.23	Jacke 2010.10.23					Tolerance		
							UNIT: mm SCALE: NONE		X. ±0.50 X.X ±0.30 X.XX ±0.10 X° ±1°		
							SHEET: 01/01		REV.: C		