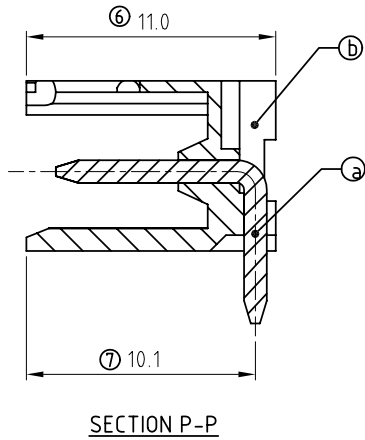
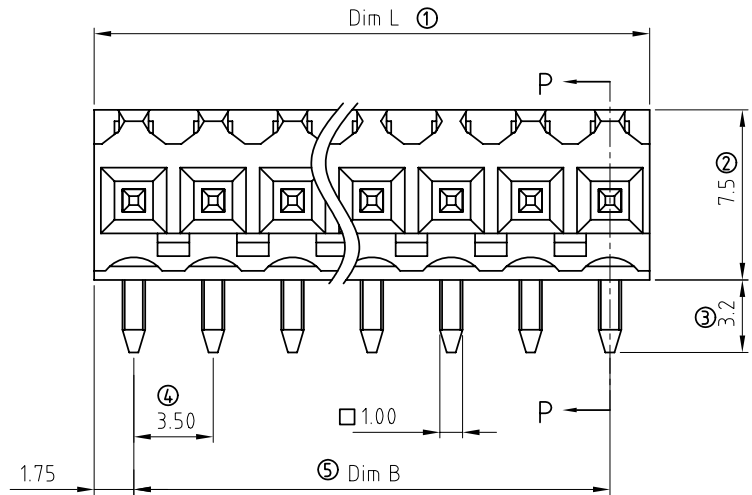


SIGN	DATE	DESCRIPTION	APPROVER
△	2010.10.23	Add UL standard	Jacke
△	2010.10.23	The material is changed from Brass to copper	Jacke
THIS IS CAD DRAWING, DO NOT REVISE MANUALLY!!!			

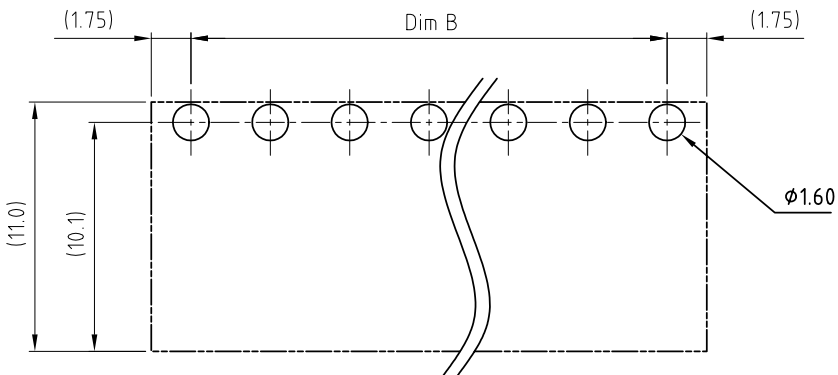


Material

- Item (a) Male contact pin: Copper, Tin plated.
- Item (b) Terminal (housing): PA66 30%GF(UL94V-0)

Electrical cULus / IEC

- Voltage rating: 300V/160V
- Current rating: 10A/13A
- Withstanding Voltage: 1.6KV/2.5KV
- Operating temperature: -40°C to +115°C
- Soldering temperature: 250°C±10°C/5 Sec
- Safety Approval: cULus



RECOMMENDED PCB LAYOUT

PART NO.

EL xx 11 x 3 xxxx G

- 02 2 POLES
 - 03 3 POLES
 -
 - 24 24 POLES
- Color**
- 0 Black (RAL9005)
 - 2 Red (RAL3001/D)
 - 3 Orange(RAL2011/P)
 - 4 Yellow(RAL1018/A)
 - 5 Green(RAL6018/T)
 - 6 Blue (RAL5015/A)
 - 8 Grey(RAL7035/D)
- Pb < 40,000ppm (RoHS)**
- 000 0 @ Logo
 - 000 A ANY Logo
- Any special item by customer request, please contact sales department.

Poles	2p	3p	4p	5p	6p	7p	8p	9p	10p	11p	12p	13p	
Dim L	7.00	10.5	14.0	17.5	21.0	24.5	28.0	31.5	35.0	38.5	42.0	45.5	
Dim B	3.50	7.00	10.5	14.0	17.5	21.0	24.5	28.0	31.5	35.0	38.5	42.0	
TOL	±0.15					±0.20					±0.25		
Poles	14p	15p	16p	17p	18p	19p	20p	21p	22p	23p	24p		
Dim L	49.0	52.5	56.0	59.5	63.0	66.5	70.0	73.5	77.0	80.5	84.0		
Dim B	45.5	49.0	52.5	56.0	59.5	63.0	66.5	70.0	73.5	77.0	80.5		
TOL	±0.25					±0.30							

ANYTEK				CUSTOMER COPY			
ALL RIGHTS RESERVED. REPRODUCTION OR ISSUE TO THIRD PARTIES IN ANY FORM WHATSOEVER IS NOT PERMITTED WITHOUT WRITTEN AUTHORITY FROM THE PROPRIETOR. PROPERTY OF ANYTEK TECHNOLOGY CO., LTD							
TITLE		EL 3.5mm Right angle open Dip TYPE Series					
PART NO.		ELxx11x3xxxx G			DWG NO.		8EL0106
APPROVED		CHECKED	DESIGNED	DRAWN	CUST NO.		Tolerance
			Jacke	Jacke			X. ±0.50
			2010.10.24	2010.10.24			X.X ±0.30
						UNIT: mm	X.XX ±0.10
				SHEET: 01/01		SCALE: NONE	X° ±1°
						REV.: C	