


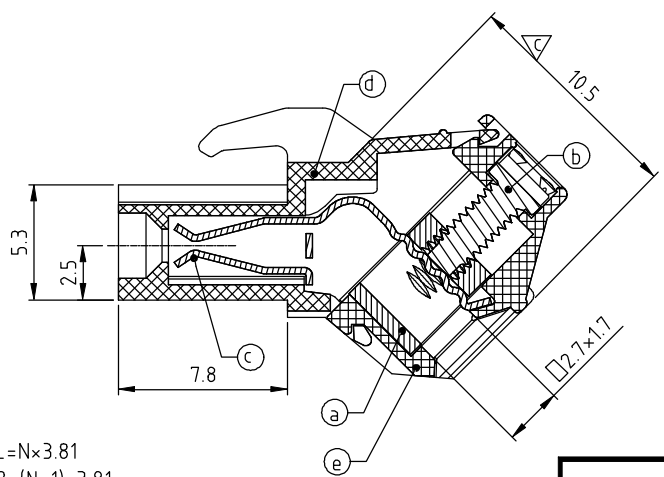
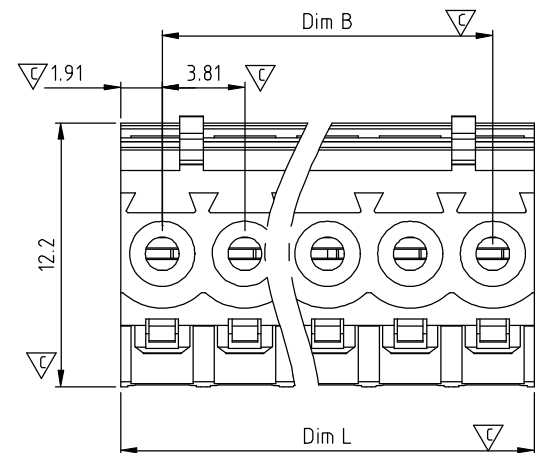
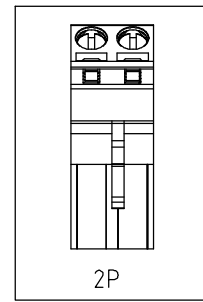
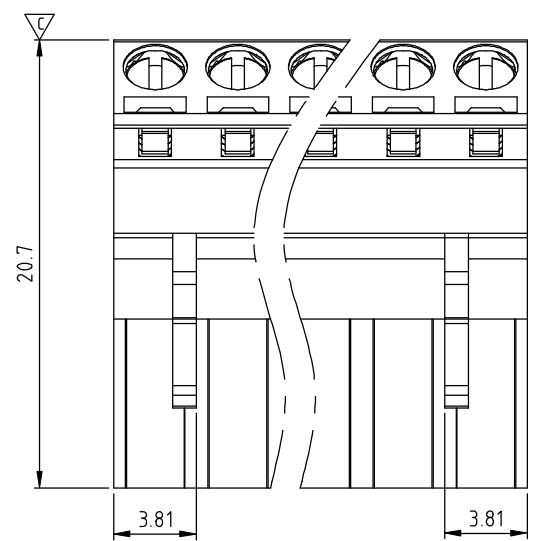
SIGN	DATE	DESCRIPTION	APPROVER
△	03/10 14	Added cULus standard	Chen Bo
THIS IS CAD DRAWING, DO NOT REVISE MANUALLY!!!			

Material

- Item (a) Clamp: Brass(CuZn) Ni plated
- Item (b) Terminal screw: Steel Zinc plating "-" slot type
- Item (c) Female contact: PhBz ,Tin plated
- Item (d) Terminal (up body): Thermoplastic (UL94V-0)
- Item (e) Terminal (down body): Thermoplastic (UL94V-0)

Electrical cULus

- Voltage rating: 300VAC
- Current rating: 8A
- Wire range:
- Solid wire(AWG): 16-28
- Stranded wire(AWG): 16-28
- Torque: 1.7 Lb-In
- Screw: M2
- Wire strip length: 8-9mm
- Withstanding Voltage: 1.6KV
- Operating temperature: -40°C to +115°C
- Safety Approval: 
- Critical dimension: ▽



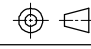
Dim L=N×3.81
Dim B=(N-1)×3.81

N = Number of contacts

POLES	Dim L	Dim B
2p-6p	+0.10/-0.10	+0.10/-0.10
7p-12p	+0.10/-0.20	+0.20/-0.20
13p-18p	+0.10/-0.30	+0.30/-0.30
19p-24p	+0.10/-0.40	+0.40/-0.40

K8 xx 31 x 0 xxxx G

- Solid Block
- 02 2 CONTACTS
- 03 3 CONTACTS
-
- 24 24 CONTACTS
- 0 Black (RAL9005)
- 2 Red (RAL3001/D)
- 3 Orange(RAL2011/P)
- 4 Yellow(RAL1018/A)
- 5 Green(RAL6018/T)
- 6 Blue (RAL5015/A)
- 8 Grey(RAL7035/D)
- 9 White(RAL1102)
- C Green(RAL6018/U)
- G RoHS compliant (lead<4%) In copper Alloy
- 0000: "@" Logo
- 000A: "ANYTEK" Mark
- Any special item by customer request. please contact sales department.

ANYTEK				CUSTOMER COPY			
ALL RIGHTS RESERVED. REPRODUCTION OR ISSUE TO THIRD PARTIES IN ANY FORM WHATSOEVER IS NOT PERMITTED WITHOUT WRITTEN AUTHORITY FROM THE PROPRIETOR. PROPERTY OF ANYTEK TECHNOLOGY CO., LTD							
TITLE		K8-3.81 Series 2P-24P Without flange					
PART NO.		K8xx31x0xxxxG			DWG NO.		8K80001
APPROVED		CHECKED		DESIGNED		DRAWN	
		Chen Bo		Chen Bo			
		03/10`14		10/25`12			
				CUST NO.		Tolerance	
						UNIT: mm	
						SCALE: NONE	
						SHEET: 01/01	
				REV.: C		X. ±0.50 X.X ±0.30 X.XX ±0.10 X° ±1°	