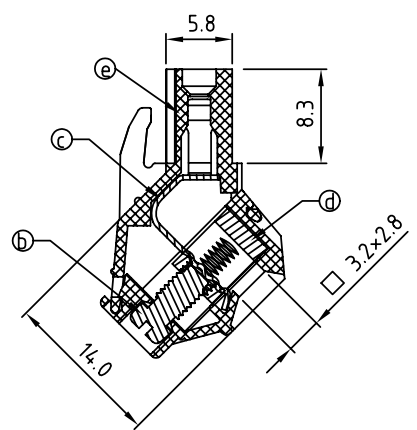
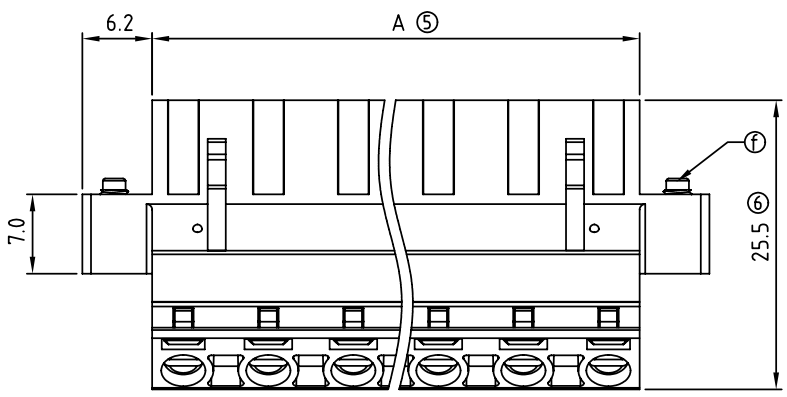
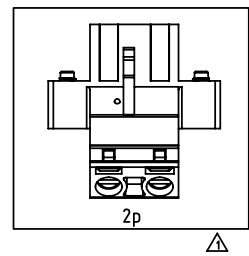
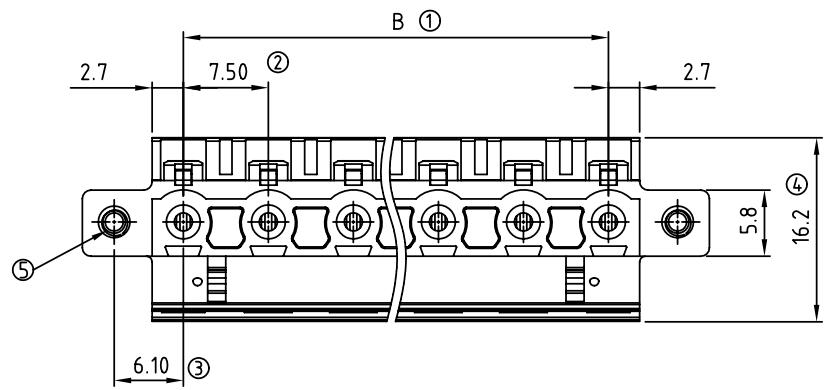


SIGN	DATE	DESCRIPTION	APPROVER
△	2010.03.31	Add the 2p mark	Jacke
THIS IS CAD DRAWING, DO NOT REVISE MANUALLY!!!			



**Material**

- Item (a) Clamp: Brass(CuZn) Ni plated
- Item (b) Terminal screw: Steel Zinc plating "-" slot type
- Item (c) Female contact: PhBz ,Tin plated
- Item (d) Terminal (up body): Thermoplastic (UL94V-0)
- Item (e) Terminal (down body): Thermoplastic (UL94V-0)
- Item (f) With flange screw: M2.5 Steel Zinc plated.

**Electrical cULus**

- Voltage rating: 300VAC
- Current rating: 20A
- Wire range:
- Solid wire(AWG): 12-22
- Stranded wire(AWG): 12-22
- Torque: 4 Lb-In
- Screw: M3
- Wire strip length: 7-8mm
- Withstanding Voltage: 1.6KV
- Operating temperature: -40°C to +115°C
- Safety Approval: us

**EM xx A 1 x 2 xxxx G**

- No. OF POLES  
02: 2 POLES  
:  
16: 16 POLES
- Color  
0 Black (RAL9005)  
2 Red (RAL3001/D)  
3 Orange(RAL2011/P)  
4 Yellow(RAL1018/A)  
5 Green(RAL6018/T)  
6 Blue (RAL5015/A)  
8 Grey(RAL7035/D)
- G: Pb<40000ppm  
0000: "@" Logo (Standard)  
000A: "ANYTEK" Mark  
Any special item by customer request. please contact sales department.

POLE		2	3	4	5	6	7	8
A		13.00	20.50	28.00	35.50	43.00	50.50	58.00
B		7.50	15.00	22.50	30.00	37.50	45.00	52.50
Tol.		±0.10			±0.15			
POLE	9	10	11	12	13	14	15	16
A	65.50	73.00	80.50	88.00	95.50	103.00	110.50	118.00
B	60.00	67.50	75.00	82.50	90.00	97.50	105.00	112.50
Tol.		±0.20			±0.30			

<b>ANYTEK</b>				<b>CUSTOMER COPY</b>			
ALL RIGHTS RESERVED. REPRODUCTION OR ISSUE TO THIRD PARTIES IN ANY FORM WHATSOEVER IS NOT PERMITTED WITHOUT WRITTEN AUTHORITY FROM THE PROPRIETOR. PROPERTY OF ANYTEK TECHNOLOGY CO., LTD							
TITLE	EM-7.5 Series With flange						
PART NO.	EMxxA1x2xxxxG			DWG NO.	8EM0301		
APPROVED	CHECKED	DESIGNED	DRAWN	CUST NO.	Tolerance		
		Jacke	Jacke		UNIT: mm	X.	±0.50
		2010.03.31	2010.03.31		SCALE: NONE	X.X	±0.30
				SHEET: 01/01	REV: C	X.XX	±0.10
						X°	±1°