

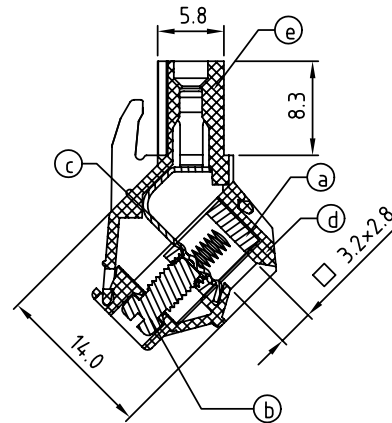
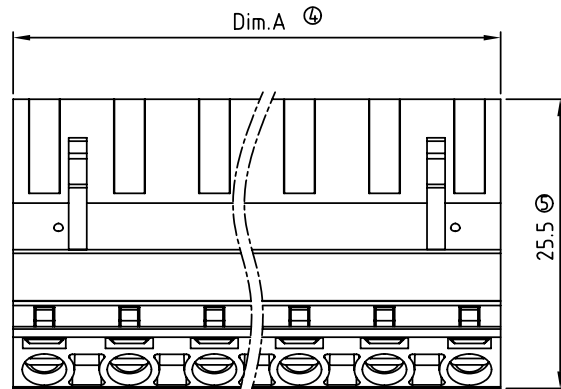
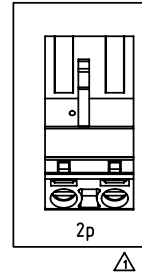
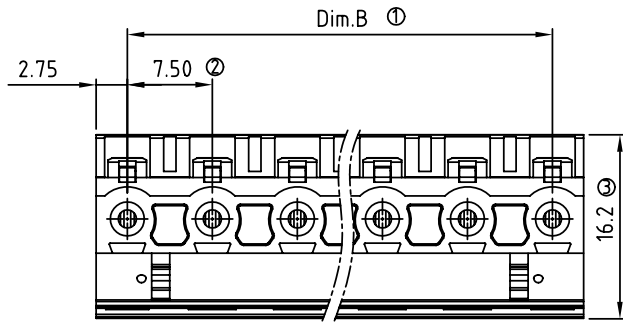
SIGN	DATE	DESCRIPTION	APPROVER
△	2010.03.31	Add the 2p mark	Jacke
<i>THIS IS CAD DRAWING, DO NOT REVISE MANUALLY!!!</i>			

**Material**

- Item (a) Clamp: Brass(CuZn) Ni plated
- Item (b) Terminal screw: Steel Zinc plating "-" slot type
- Item (c) Female contact: PhBz ,Tin plated
- Item (d) Terminal (up body): Thermoplastic (UL94V-0)
- Item (e) Terminal (down body): Thermoplastic (UL94V-0)

**Electrical cULus**

- Voltage rating: 300VAC
- Current rating: 20A
- Wire range:
- Solid wire(AWG): 12-22
- Stranded wire(AWG): 12-22
- Torque: 4 Lb-In
- Screw: M3
- Wire strip length: 7-8mm
- Withstanding Voltage: 1.6KV
- Operating temperature: -40°C to +115°C
- Safety Approval: cULus



**EM xx A1 x 0 xxxx G**

- 02 2 CONTACTS
- 03 3 CONTACTS
- ... ..
- 16 16 CONTACTS

- 0000: "@" Logo
- 000A: "ANYTEK" Mark
- Any special item by customer request. please contact sales department.
- RoHS
- Pb<40,000ppm

**Color**

- 0 Black (RAL9005)
- 2 Red (RAL3001/D)
- 3 Orange(RAL2011/P)
- 4 Yellow(RAL1018/A)
- 5 Green(RAL6018/T)
- 6 Blue (RAL5015/A)
- 8 Grey(RAL7035/D)

DimA=(N-1)×7.5+5.5  
 DimB=(N-1)×7.5  
 N=NUMBER OF CONTACTS

POLES	TOL
2p-6p	+0.20/-0.20
7p-12p	+0.30/-0.30
13p-16p	+0.40/-0.40

**ANYTEK**

**CUSTOMER COPY**

ALL RIGHTS RESERVED. REPRODUCTION OR ISSUE TO THIRD PARTIES IN ANY FORM WHATSOEVER IS NOT PERMITTED WITHOUT WRITTEN AUTHORITY FROM THE PROPRIETOR. PROPERTY OF ANYTEK TECHNOLOGY CO., LTD

TITLE		EM-7.5 Series Without flange		DWG NO.		8EM0302	
PART NO.		EMxxA1x0xxxxG		DWG NO.		8EM0302	
APPROVED	CHECKED	DESIGNED	DRAWN	CUST NO.		Tolerance	
		Jacke	Jacke			X. ±0.50	
		2010.03.31	2010.03.31			X.X ±0.30	
						UNIT: mm	
						SCALE: NONE	
				SHEET: 01/01		REV: C	
						X.XX ±0.10	
						X° ±1°	