


| SIGN | DATE | DESCRIPTION | APPROVER |
|------|------------|-----------------------|----------|
| △ | 3/11'09 | Dim.A & Dim.B Changed | Tony |
| △ | 2009.12.18 | Add UL standard | Jacke |
| △ | 2010.03.23 | Add the 2p mark | Jacke |

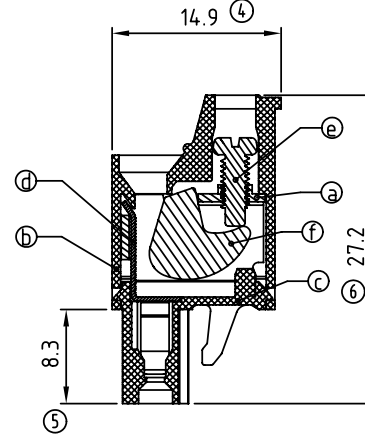
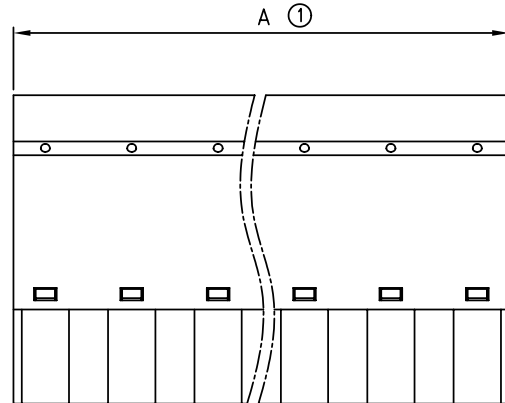
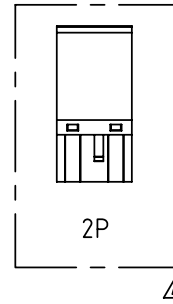
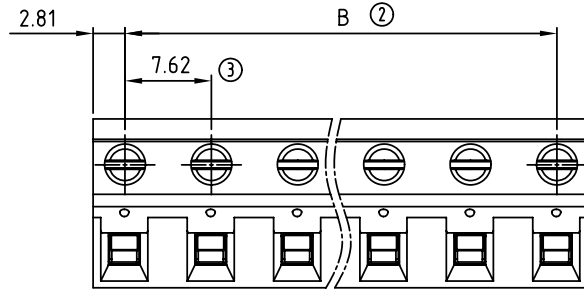
THIS IS CAD DRAWING, DO NOT REVISE MANUALLY!!!

Material:

- Item ① Clamp: Steel Zinc plated
 - Item ② Terminal(Up body): Thermoplastic (UL94V-0)
 - Item ③ Terminal(Down body): Thermoplastic (UL94V-0)
 - Item ④ Female contact: PhBz(CuSn),Tin plated.
 - Item ⑤ Terminal screw: Steel Zinc plating "-" slot type
 - Item ⑥ Clampage: Steel/steel Zinc plated
- Electrical: cULus
- Voltage rating: 300V
 - Current rating: 20A
 - Wire range:
 - Solid wire(AWG): 12-22
 - Stranded wire(AWG): 12-22
 - Torque: 3.5 Lb-In.
 - Screw: M2.5
 - Wire strip length: 8-9mm
 - Withstanding Voltage: 1.6KV
 - Operating temperature: -40°C to +115°C
- △ ● Safety Approval: 

VM xx 0 5 x 1 xxxx G

- POLES ————
- 02: 02 pole
 " " "
 16: 16 pole
- Color
- 0 Black (RAL9005)
 - 2 Red (RAL3001/D)
 - 3 Orange(RAL2011/P)
 - 4 Yellow(RAL1018/A)
 - 5 Green(RAL6018/T)
 - 6 Blue (RAL5015/A)
 - 8 Grey(RAL7035/D)
- G: Pb<40000ppm
- 0000: "@" Logo (Standard)
(Steel screw plating Cr³⁺)
 - 000A: "ANYTEK" Mark
- Any special item by customer request. please contact sales department.

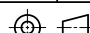


| POLE | | 2 | 3 | 4 | 5 | 6 | 7 | 8 | |
|------|--|-------|-------|-------|-------|-------|--------|--------|--------|
| A | | 13.24 | 20.86 | 28.48 | 36.10 | 43.72 | 51.34 | 58.96 | |
| B | | 7.62 | 15.24 | 22.86 | 30.48 | 38.10 | 45.72 | 53.34 | |
| Tol. | | ±0.15 | | | ±0.20 | | | | |
| POLE | | 9 | 10 | 11 | 12 | 13 | 14 | 15 | 16 |
| A | | 66.58 | 74.20 | 81.82 | 89.44 | 97.06 | 104.68 | 112.30 | 119.92 |
| B | | 60.96 | 68.58 | 76.20 | 83.82 | 91.44 | 99.06 | 106.68 | 114.30 |
| Tol. | | ±0.30 | | | | ±0.40 | | | |

ANYTEK

CUSTOMER COPY

ALL RIGHTS RESERVED. REPRODUCTION OR ISSUE TO THIRD PARTIES IN ANY FORM WHATSOEVER IS NOT PERMITTED WITHOUT WRITTEN AUTHORITY FROM THE PROPRIETOR. PROPERTY OF ANYTEK TECHNOLOGY CO., LTD

| TITLE | | VM 7.62 mm W/O Flange Series | | | |
|----------|---------------|------------------------------|---------------------|---|---|
| PART NO. | VMxx05x1xxxxG | DWG NO. | 8VM0502 | | |
| APPROVED | CHECKED | DESIGNED | DRAWN | CUST NO. | Tolerance |
| | | Jacke 2010.03.23 | Jacke 2009.12.18 |  | UNIT: mm SCALE: NONE |
| | | | | SHEET: 01/01 | REV.: E |
| | | | | | X. ±0.50 X.X ±0.30 X.XX ±0.10 X° ±1° |