

SIGN	DATE	DESCRIPTION	APPROVER
△	8/07'06	Added VDE standard	梁仁松
△	2010.11.26	The tolerance is changed	Jacke

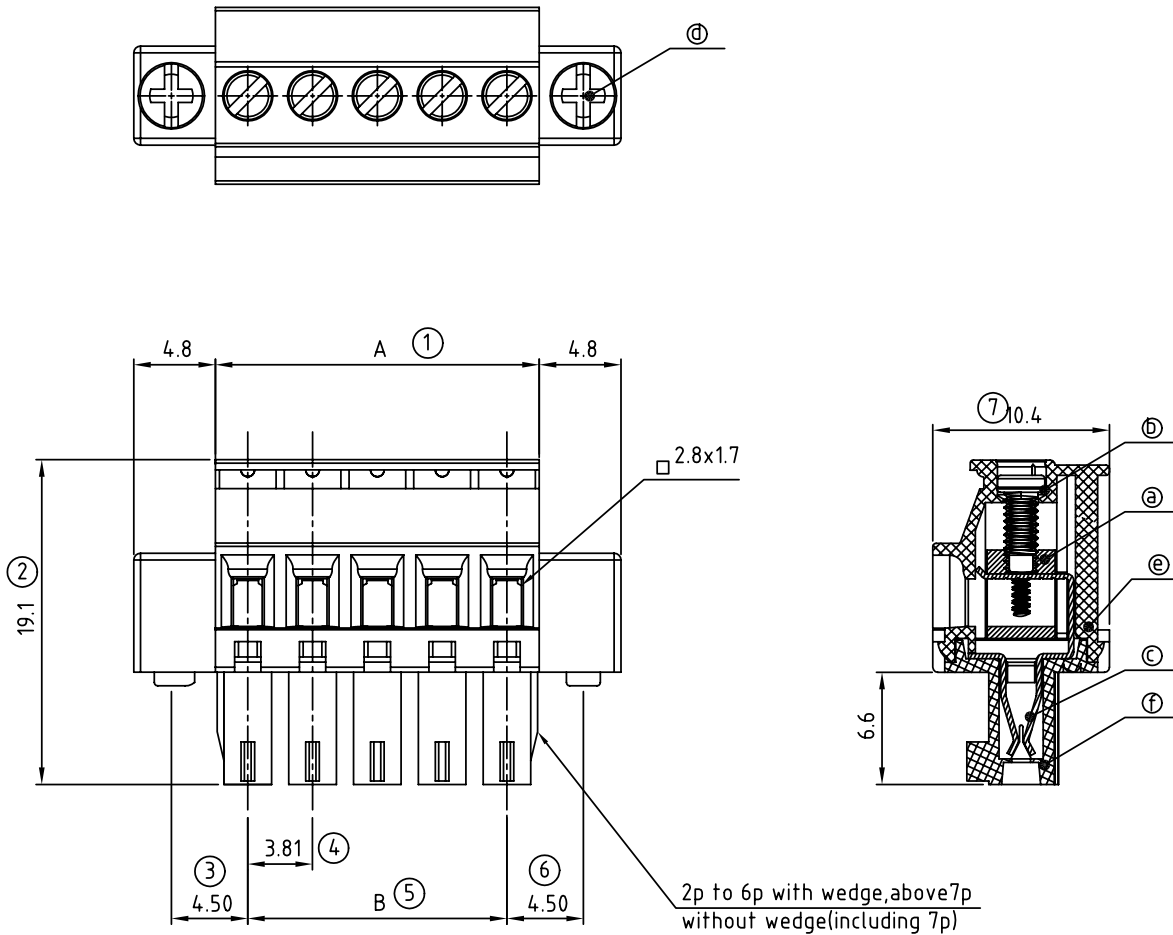
THIS IS CAD DRAWING, DO NOT REVISE MANUALLY!!!

**Material**

- Item a Clamp: Brass(CuZn) Ni plated
- Item b Terminal screw: Steel Zinc plating "-" slot type
- Item c Female contact: PhBz Tin plated
- Item d With flange screw: Steel Zinc plating M2.5 "+/-" slot type
- Item e Terminal(housing): Thermoplastic (UL94V-0)
- Item f Terminal(cover) :Thermoplastic (UL94V-0)

△ Electrical cULus/VDE

- Voltage rating: 300VAC/300VAC
- Current rating: 8A/10A
- Wire range: 1.5mm<sup>2</sup>
- Solid wire(AWG): 16-28
- Stranded wire(AWG): 16-28
- Torque: 1.7Lb-In./0.2Nm
- Screw: M2
- Wire strip length: 6-7mm
- Withstanding Voltage: 1.6KV/2.5KV
- Operating temperature: -40°C to +115°C
- Safety approval: cULus VDE



**TS xx 3 1 x C xxxx G**

No. OF POLES ← 02: 2 POLES  
: 24: 24 POLES

Color → 0 Black (RAL9005)  
2 Red (RAL3001/D)  
3 Orange(RAL2011/P)  
4 Yellow(RAL1018/A)  
5 Green(RAL6018/T)  
6 Blue (RAL5015/A)  
8 Grey(RAL7035/D)

RoHS pb<40, 000ppm  
0000 Standard @ Logo  
000A Standard ANY Logo  
Any special item by customer request, please contact sales department.

△

Poles	Tolerance
2p-6p	±0.15
7p-12p	±0.20
13p-16p	±0.25
17p-24p	±0.30

DIMENSION  
N = Number of contacts

A	NX3.81
B	(N-1)X3.81

ANYTEK				CUSTOMER COPY			
ALL RIGHTS RESERVED. REPRODUCTION OR ISSUE TO THIRD PARTIES IN ANY FORM WHATSOEVER IS NOT PERMITTED WITHOUT WRITTEN AUTHORITY FROM THE PROPRIETOR. PROPERTY OF ANYTEK TECHNOLOGY CO., LTD							
TITLE		TS-3.81mm Series With flange (W/latching hooks on the wire entry side)					
PART NO.		TSxx31xCxxxxG		DWG NO.		8TS0303	
APPROVED		CHECKED	DESIGNED	DRAWN	CUST NO.		Tolerance
		Jacke 2010.11.29	Jacke 2009.12.23				X. ±0.50 X.X ±0.30 X.XX ±0.10 X° ±1°
				SHEET: 01/01		UNIT: mm SCALE: NONE REV.: G	