


SIGN	DATE	DESCRIPTION	APPROVER
△	8/07'06	Added VDE standard	梁仁松
△	2010.11.29	The tolerance is changed	Jacke

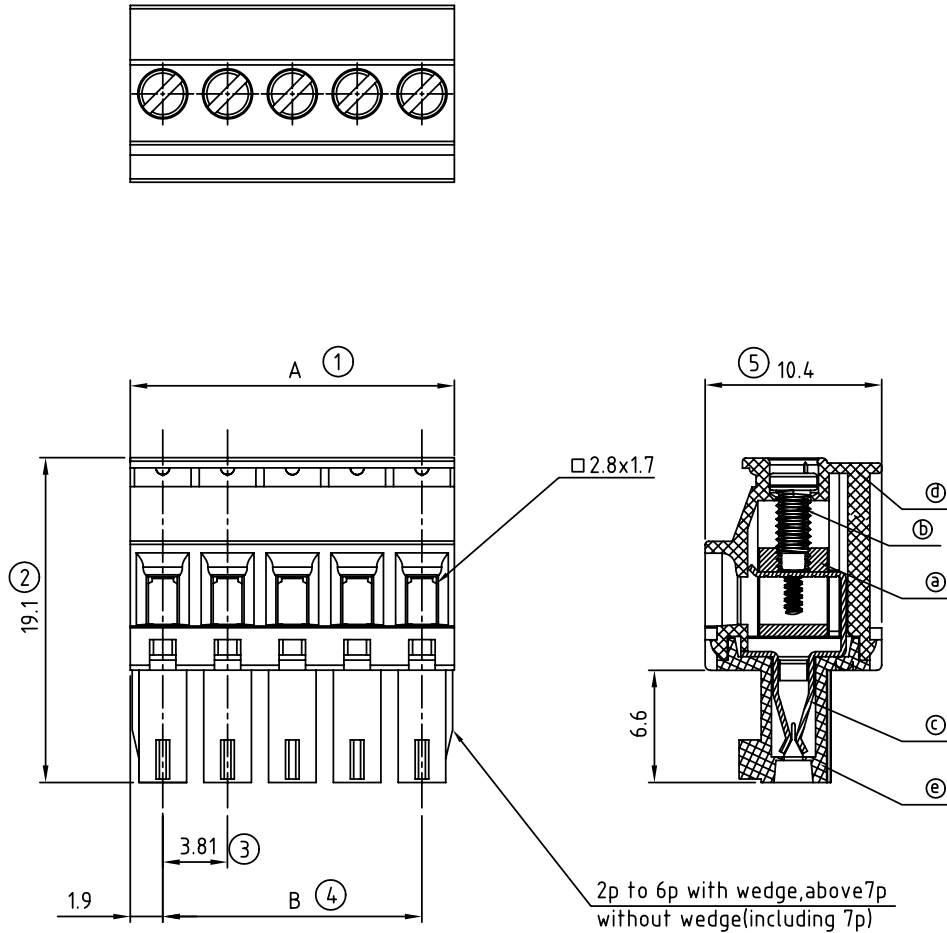
THIS IS CAD DRAWING, DO NOT REVISE MANUALLY!!!

Material

- Item① Clamp: Brass(CuZn),Nickel plated
- Item② Terminal screw: Steel Zinc plating "-" slot type
- Item③ Female contact: PhBz, Tin plated
- Item④ Terminal (housing): Thermoplastic (UL94V-0)
- Item⑤ Terminal (cover): Thermoplastic (UL94V-0)

△ Electrical cULus/VDE

- Voltage rating: 300VAC/300VAC
- Current rating: 8A/10A
- Wire range: 1.5mm²
- Solid wire(AWG): 16-28
- Stranded wire(AWG): 16-28
- Torque: 1.7Lb-In./0.2Nm
- Screw: M2
- Wire strip length: 6-7mm
- Withstanding Voltage: 1.6KV/2.5KV
- Operating temperature: -40°C to +115°C
- Safety approval: 



TS xx 3 1 x A xxxx G

No. OF POLES ← (xx) → RoHS pb<40, 000ppm

02: 2 POLES
:
:
24: 24 POLES

Color → 0000 Standard @ Logo
000A Standard ANY Logo
Any special item by customer request, please contact sales department.

0 Black (RAL9005)
2 Red (RAL3001/D)
3 Orange(RAL2011/P)
4 Yellow(RAL1018/A)
5 Green(RAL6018/T)
6 Blue (RAL5015/A)
8 Grey(RAL7035/D)

△

Poles	Tolerance
2p-6p	±0.15
7p-12p	±0.20
13p-16p	±0.25
17p-24p	±0.30

DIMENSION
N = Number of contacts

A	NX3.81
B	(N-1)X3.81

ANYTEK				CUSTOMER COPY					
ALL RIGHTS RESERVED. REPRODUCTION OR ISSUE TO THIRD PARTIES IN ANY FORM WHATSOEVER IS NOT PERMITTED WITHOUT WRITTEN AUTHORITY FROM THE PROPRIETOR. PROPERTY OF ANYTEK TECHNOLOGY CO., LTD									
TITLE		TS-3.81mm Series Without flange (W/latching hooks on the wire entry side)				DWG NO.		8TS0301	
PART NO.		TSxx31xAxxxxG				APPROVED		CHECKED	
DESIGNED		DRAWN		CUST NO.		Tolerance			
Jacke		Marvin		UNIT: mm		X.		±0.50	
2010.11.29		2006.08.07		SCALE: NONE		X.X		±0.30	
SHEET: 01/01		REV.: F		X.XX		X°		±1°	