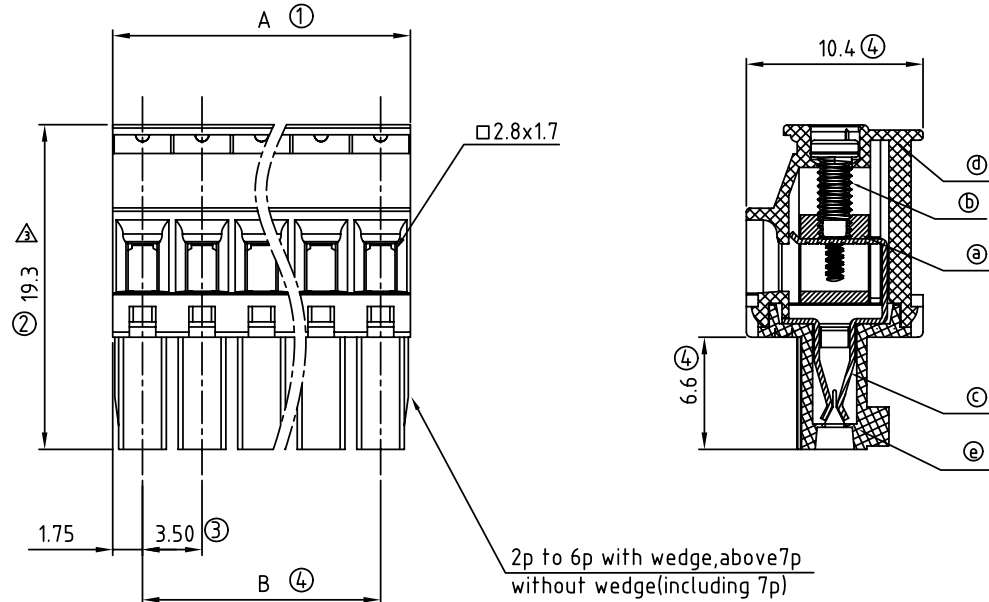
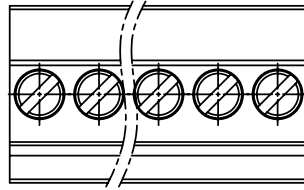


SIGN	DATE	DESCRIPTION	APPROVER
△	8/07'06	Added VDE standard	梁仁松
△	2008.12.02	The temperature changed from -30°C,+105°C to -40°C,+115°C	Jacke
△	2008.12.02	The dimension design changed from 19.1mm to 19.3mm	Jacke

*THIS IS CAD DRAWING, DO NOT REVISE MANUALLY!!!*



N = Number of contacts

**DIMENSION**

A	NX3.5
B	(N-1)X3.5

Poles	Tolerance
2P-8P	±0.10
9P-16P	±0.20
17P-24P	±0.30

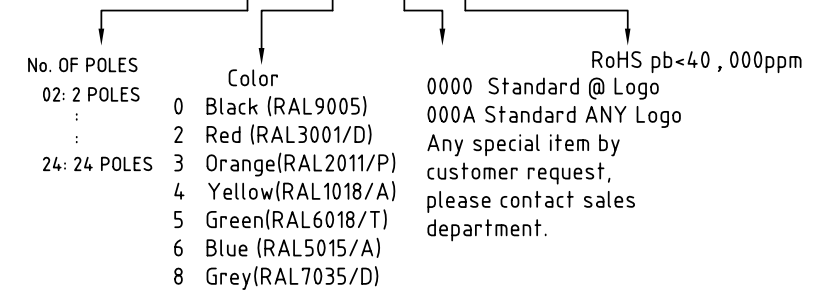
**Material**

- Item① Clamp: Brass(CuZn),Nickel plated
- Item② Terminal screw: Steel Zinc plating "--" slot type
- Item③ Female contact: PhBz, Tin plated
- Item④ Terminal (housing): Thermoplastic (UL94V-0)
- Item⑤ Terminal (cover): Thermoplastic (UL94V-0)

**Electrical cULus/VDE**

- Voltage rating: 300VAC/300VAC
- Current rating: 8A/10A
- Wire range: 1.5mm<sup>2</sup>
- Solid wire(AWG): 16-28
- Stranded wire(AWG): 16-28
- Torque: 1.7Lb-In./0.2Nm
- Screw: M2
- Wire strip length: 6-7mm
- Withstanding Voltage: 1.6KV/2.5KV
- △ ● Operating temperature: -40°C to +115°C
- △ ● Safety approval: cULus VDE

**TS xx 1 1 x B xxxx G**



**ANYTEK**

**CUSTOMER COPY**

ALL RIGHTS RESERVED. REPRODUCTION OR ISSUE TO THIRD PARTIES IN ANY FORM WHATSOEVER IS NOT PERMITTED WITHOUT WRITTEN AUTHORITY FROM THE PROPRIETOR. PROPERTY OF ANYTEK TECHNOLOGY CO., LTD

TITLE		TS-3.5mm Series Without flange (for latch on back side)			
PART NO.		TSxx11xBxxxxG		DWG NO. 8TS0202	
APPROVED	CHECKED	DESIGNED	DRAWN	CUST NO.	
		Jacke 2008.12.10	Jacke 2008.12.10		
				Tolerance	
				X. ±0.50	
				X.X ±0.30	
				X.XX ±0.10	
				X° ±1°	
				UNIT: mm	
				SCALE: NONE	
				SHEET: 01/01	
				REV.: F	