

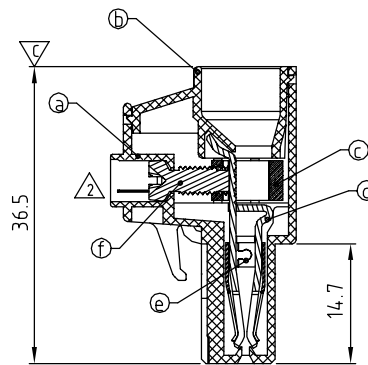
ET xx 0 2 x 2 xxxx G

No. OF POLES
02: 2 POLES
...
16: 16 POLES

COLOR

- 0 Black (RAL9005)
- 2 Red (RAL3001/D)
- 3 Orange(RAL2011/P)
- 4 Yellow(RAL1018/A)
- 5 Green(RAL6018/T)
- 6 Blue (RAL5015/A)
- 8 Grey(RAL7035/D)

G RoHS compliant (lead<4%)
In copper Alloy
0000: "@" Logo (Standard)
000A: "ANYTEK" Mark
Any special item by customer request. please contact sales department.



SIGN	DATE	DESCRIPTION	APPROVER
△	03/23/09	modify specification	Jacke
△	2009.09.18	The design is changed	Jacke
△	2009.12.25	The Material is changed from PbZz to Copper	Jacke
△	2010.04.18	The flange Screw is changed	Jacke
△	2010.04.18	The Grey code changed from RAL7004/P to RAL7035/D	Jacke
△	2010.05.26	The flange screw is changed from "-" type to "+/-" type	Jacke
△	2012.09.07	Added TUV standard	Chen Bo

THIS IS CAD DRAWING, DO NOT REVISE MANUALLY!!!

Material:

- Item ① Terminal(housing): Thermoplastic (UL94V-0)
 - Item ② Terminal(cover): Thermoplastic (UL94V-0)
 - Item ③ Clamp: Brass Ni plated
 - Item ④ Female contact : Copper. Tin plated
 - Item ⑤ Wire guard: Stainless steel
 - Item ⑥ Terminal Screw: Steel , zinc plating " * " slot type
 - Item ⑦ With flange Screw: Steel Zinc plating M3"+/-" slot type
- ① Electrical:
- | | | |
|--------------------------|-----------------|----------------------|
| | cULus | TUV |
| ● Voltage rating: | 300 V | 800V |
| ● Current rating: | 32 A | 32A |
| ● Wire range: | | 0.2-6mm ² |
| ● Solid wire(AWG): | 8-24 | |
| ● Stranded wire(AWG): | 8-24 | |
| ● Torque: | 7 LB-In | 0.8N.m |
| ● Screw: | M3.5 | |
| ● Wire strip length: | 10-11 mm | |
| ● Withstanding Voltage: | 1.6KV | 6KV |
| ● Operating temperature: | -40°C to +115°C | |
| ● Safety Approval: | | |
| ● Critical dimension: | ▽ | |

DIM		TOL			
		2P-4P	5P-8P	9P-12P	13P-16P
Dim L	N×7.62	±0.15	±0.20	±0.30	±0.40
Dim P	(N-1)×7.62	±0.15	±0.20	±0.30	±0.40

<h1>ANYTEK</h1>				<h2>CUSTOMER COPY</h2>			
ALL RIGHTS RESERVED. REPRODUCTION OR ISSUE TO THIRD PARTIES IN ANY FORM WHATSOEVER IS NOT PERMITTED WITHOUT WRITTEN AUTHORITY FROM THE PROPRIETOR. PROPERTY OF ANYTEK TECHNOLOGY CO., LTD							
TITLE		ET-7.62 W/Flange Series					
PART NO.		ETxx02x2xxxxG			DWG NO.		8ET0005
APPROVED		CHECKED		DESIGNED		DRAWN	
				Chen Bo 09/07/12		Chen Bo 09/07/12	
						CUST NO.	
						Tolerance	
						X. ±0.50	
						X.X ±0.30	
						X.XX ±0.10	
						X° ±1°	
						UNIT: mm	
						SCALE: NONE	
						REV. H	
						SHEET: 01/01	