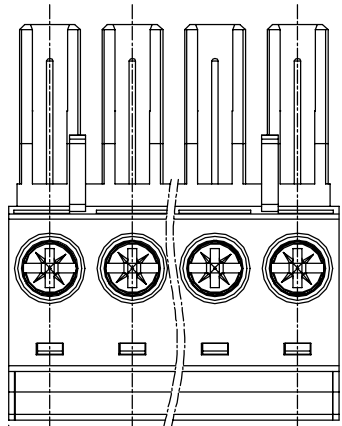


SIGN	DATE	DESCRIPTION	APPROVER
△	03/23/09	modify specification	Jacke
△	2009.09.18	The design is changed	Jacke
△	2009.12.25	The Material is changed from PhBz to Copper	Jacke
△	2012.09.07	Added TUV standard	Chen Bo

*THIS IS CAD DRAWING, DO NOT REVISE MANUALLY!!!*



**ET xx 0 2 x 0 xxxx G**

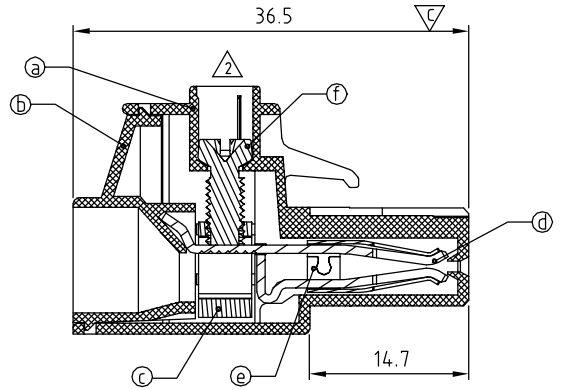
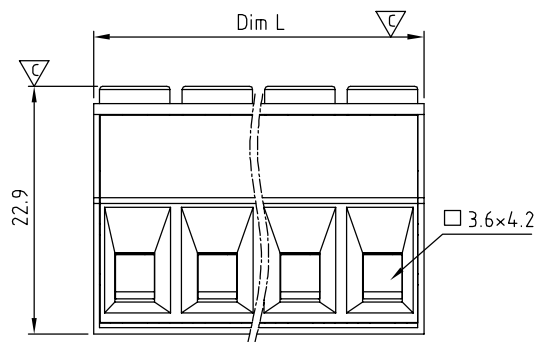
No. OF POLES  
02: 2 POLES  
...  
16: 16 POLES

COLOR

0 Black (RAL9005)  
2 Red (RAL3001/D)  
3 Orange(RAL2011/P)  
4 Yellow(RAL1018/A)  
5 Green(RAL6018/T)  
6 Blue (RAL5015/A)  
8 Grey(RAL7035/D)

G RoHS compliant (lead<4%)  
In copper Alloy  
0000: "@" Logo (Standard)  
000A: "ANYTEK" Mark  
Any special item by customer request, please contact sales department.

- Material:
- Item ㉑ Terminal(housing): Thermoplastic (UL94V-0)
  - Item ㉒ Terminal(cover): Thermoplastic (UL94V-0)
  - Item ㉓ Clamp: Brass Ni plated
  - Item ㉔ Female contact : Copper, Tin plated
  - Item ㉕ Wire guard: Stainless steel
  - Item ㉖ Terminal Screw: Steel , zinc plating " \* " slot type
- Electrical:
- |                          |                 |                      |
|--------------------------|-----------------|----------------------|
|                          | cULus           | TUV                  |
| ● Voltage rating:        | 300 V           | 800V                 |
| ● Current rating:        | 32 A            | 32A                  |
| ● Wire range:            |                 | 0.2-6mm <sup>2</sup> |
| ● Solid wire(AWG):       | 8-24            |                      |
| ● Stranded wire(AWG):    | 8-24            |                      |
| ● Torque:                | 7 LB-In         | 0.8N.m               |
| ● Screw:                 | M3.5            |                      |
| ● Wire strip length:     | 10-11 mm        |                      |
| ● Withstanding Voltage:  | 1.6KV           | 6KV                  |
| ● Operating temperature: | -40°C to +115°C |                      |
| ● Safety Approval:       | cULus           | TUV                  |
| ● Critical dimension:    | ▽               |                      |



DIM		TOL			
		2P-4P	5P-8P	9P-12P	13P-16P
Dim L	N×7.62	±0.15	±0.20	±0.30	±0.40
Dim P	(N-1)×7.62	±0.15	±0.20	±0.30	±0.40

# ANYTEK

## CUSTOMER COPY

ALL RIGHTS RESERVED. REPRODUCTION OR ISSUE TO THIRD PARTIES IN ANY FORM WHATSOEVER IS NOT PERMITTED WITHOUT WRITTEN AUTHORITY FROM THE PROPRIETOR. PROPERTY OF ANYTEK TECHNOLOGY CO., LTD

TITLE		ET-7.62 Series (Without Flange)		
PART NO.	ETxx02x0xxxxG	DWG NO.	8ET0001	
APPROVED	CHECKED	DESIGNED	DRAWN	CUST NO.
		Chen Bo 09/07'12	Chen Bo 09/07'12	
				Tolerance
SHEET: 01/01				UNIT: mm
SCALE: NONE				X. ±0.50
REV.: F				X.X ±0.30
				X.XX ±0.10
				X° ±1°