

SIGN	DATE	DESCRIPTION	APPROVER
△	2006.01.20	The design of screw hole is changed	Marvin
△	2010.03.11	Add the 2P mark	Jacke
△	2011.08.09	The dimensions 2.6 & 3.2 & 0.9 & 5.8 are added	Aaron
△	2014.02.25	update the drawing	Chen Bo

THIS IS CAD DRAWING, DO NOT REVISE MANUALLY!!!

Material

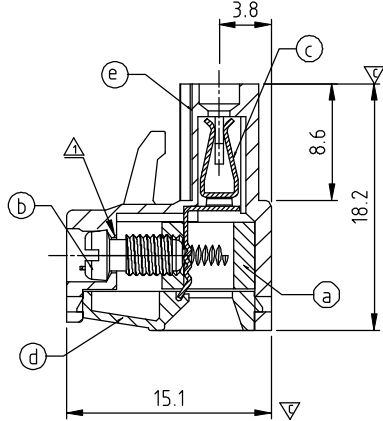
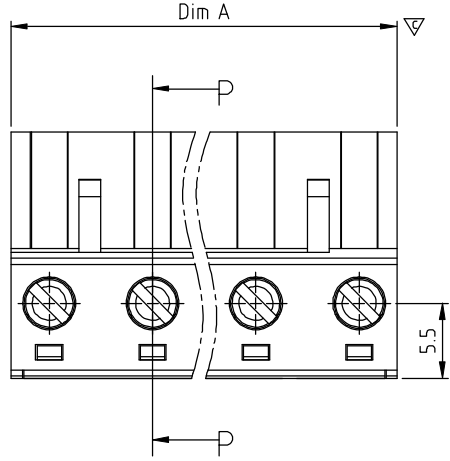
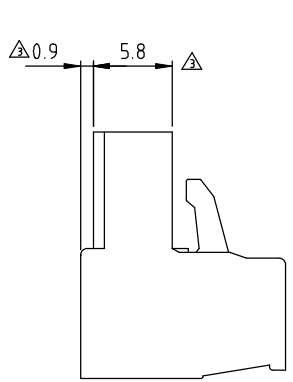
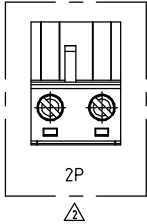
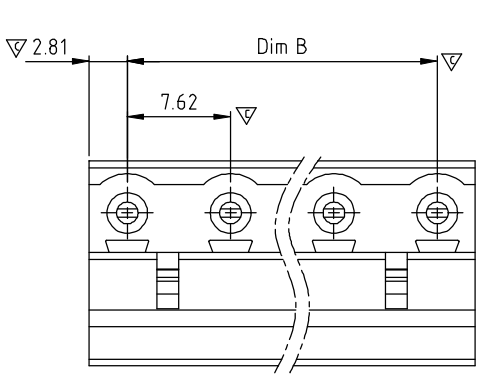
- Item (a) Clamp: Brass(CuZn) Ni plated
- Item (b) Terminal screw: Steel Zinc plating "-" slot type
- Item (c) Female contact: PhBz, Tin plated
- Item (d) Terminal Cover: Thermoplastic (UL94V-0)
- Item (e) Terminal housing: Thermoplastic (UL94V-0)

Electrical cULus

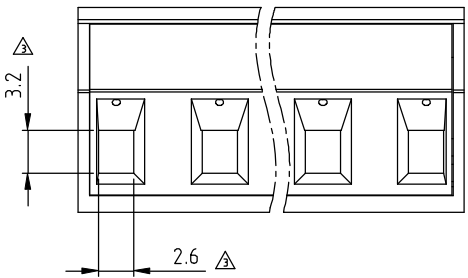
- Voltage rating: 300VAC
- Current rating: 20A
- Wire range:
- Solid wire(AWG): 12-24
- Stranded wire(AWG): 12-24
- Torque: 5Lb-In
- Screw: M3
- Wire strip length: 7-8mm
- Withstanding Voltage: 1.6KV
- Operating temperature: -40°C to +115°C
- Safety Approval: cULus
- Critical dimension: ∇

△ TJ xx 01 x 0 xxxx G

		Color	G RoHS compliant (lead<4%) In copper Alloy
02	2 CONTACTS	0 Black (RAL9005)	0000 Standard @ Logo 000A Standard ANY Logo Any special item by customer request, please contact sales department.
03	3 CONTACTS	2 Red (RAL3001/D)	
...	...	3 Orange(RAL2011/P)	
16	16 CONTACTS	4 Yellow(RAL1018/A)	
		5 Green(RAL6018/T)	
		6 Blue (RAL5015/A)	
		8 Grey(RAL7035/D)	
		9 White(RAL1102)	
		C Green(RAL6018/U)	



SECTION P-P



N = Number of poles
 Dim A=(N-1)X7.62+5.62
 Dim B=(N-1)x7.62

Poles	Tolerance
2p-6p	±0.15
7p-12p	±0.20
13p-16p	±0.30

ANYTEK				CUSTOMER COPY			
ALL RIGHTS RESERVED. REPRODUCTION OR ISSUE TO THIRD PARTIES IN ANY FORM WHATSOEVER IS NOT PERMITTED WITHOUT WRITTEN AUTHORITY FROM THE PROPRIETOR. PROPERTY OF ANYTEK TECHNOLOGY CO., LTD							
TITLE TJ-7.62mm Series 2P-16P (Without flange)							
PART NO. TJxx01x0xxxxG				DWG NO. 8TJ0401			
APPROVED		CHECKED	DESIGNED	DRAWN	CUST NO.		Tolerance
			Chen Bo 02/25'14	Chen Bo 02/25'14			X. ±0.50
					SHEET: 01/01		X.X ±0.30
					UNIT: mm		X.XX ±0.10
					SCALE: NONE		X° ±1°
					REV.: E		