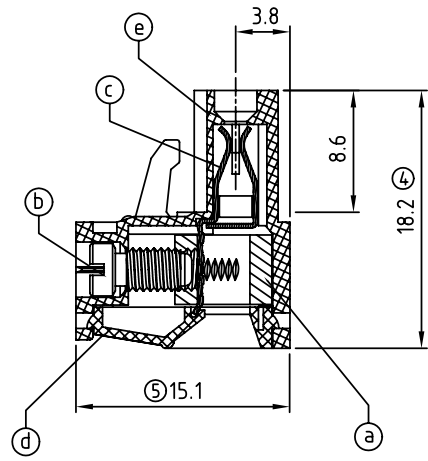
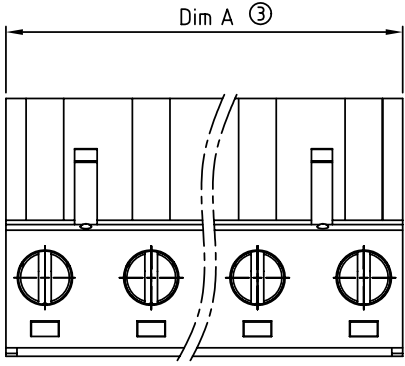
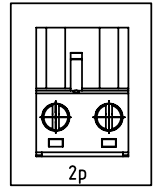
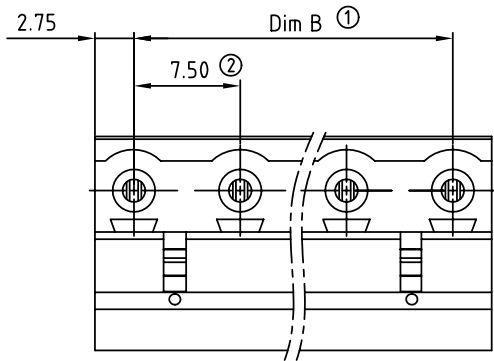


SIGN	DATE	DESCRIPTION	APPROVER
△	2010.03.10	Add the 2p mark	Jacke
△	2010.03.10	Added cULus standard	Jacke
<i>THIS IS CAD DRAWING, DO NOT REVISE MANUALLY!!!</i>			



Material

- Item ③ Clamp: Brass(CuZn) Ni plated
- Item ④ Terminal screw: Steel Zinc plating "-" slot type
- Item ⑤ Female contact: PhBz ,Tin plated
- Item ⑥ Terminal Cover: Thermoplastic (UL94V-0)
- Item ⑦ Terminal housing: Thermoplastic (UL94V-0)

Electrical cULus

- Voltage rating: 300VAC
- Current rating: 20A
- Wire range:
- Solid wire(AWG): 12-24
- Stranded wire(AWG): 12-24
- Torque: 5Lb-In
- Screw: M3
- Wire strip length: 7-8mm
- Withstanding Voltage: 1.6KV
- Operating temperature: -40°C to +115°C
- Safety Approval:

TJ xx A1x 0 xxxx G

- 02 2 CONTACTS
 - 03 3 CONTACTS
 -
 - 16 16 CONTACTS
- 0 Black (RAL9005)
- 2 Red (RAL3001/D)
- 3 Orange(RAL2011/P)
- 4 Yellow(RAL1018/A)
- 5 Green(RAL6018/T)
- 6 Blue (RAL5015/A)
- 8 Grey(RAL7035/D)
- RoHS
Pb<40,000ppm
- 000 0 Standard @ Logo
- 000 A Standard ANY Logo
- Any special item by customer request, please contact sales department.

Dim.A = (N-1) x 7.5+5.5
 Dim.B = (N-1) x 7.5
 N= number of poles

poles Dim.	2P-6P	7P-12P	13P-16P
Dim.A	±0.15	±0.30	±0.40
Dim.B	±0.15	±0.30	±0.40

ANYTEK

CUSTOMER COPY

ALL RIGHTS RESERVED. REPRODUCTION OR ISSUE TO THIRD PARTIES IN ANY FORM WHATSOEVER IS NOT PERMITTED WITHOUT WRITTEN AUTHORITY FROM THE PROPRIETOR. PROPERTY OF ANYTEK TECHNOLOGY CO., LTD

TITLE		TJ-7.5mm Series			DWG NO.		8TJ0801	
PART NO.		TJxxA1x0xxxxG			CUST NO.			
APPROVED	CHECKED	DESIGNED	DRAWN	Tolerance				
		Jacke	Jacke	UNIT: mm		X. ±0.50		
		2010.03.10	2010.03.10	SCALE: NONE		X.X ±0.30		
SHEET: 01/01				REV: C		X.XX ±0.10		
						X° ±1°		