

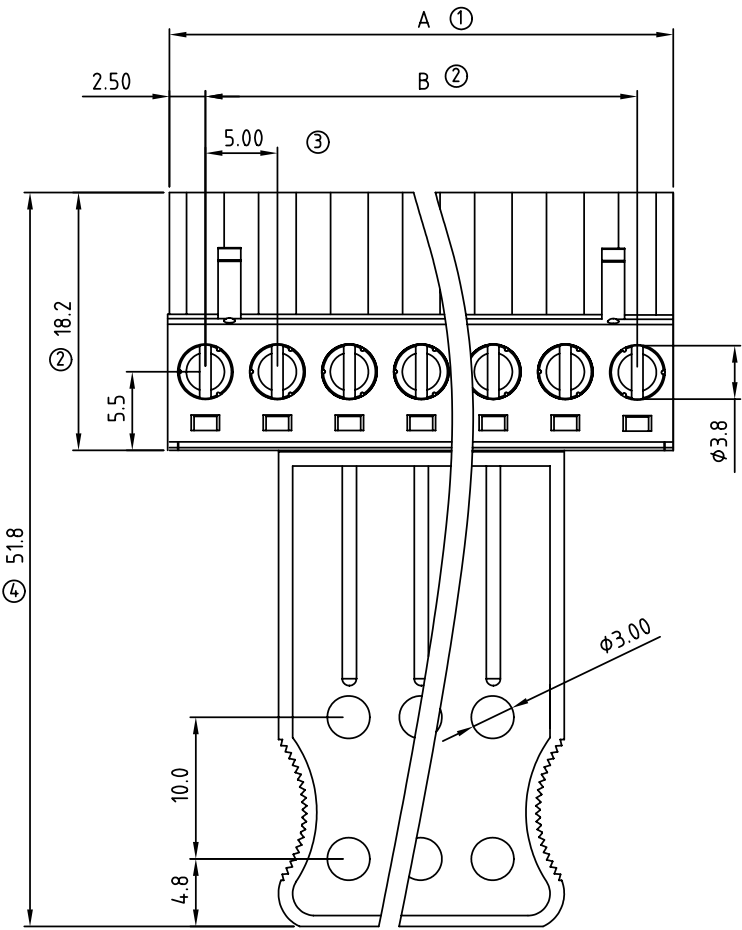
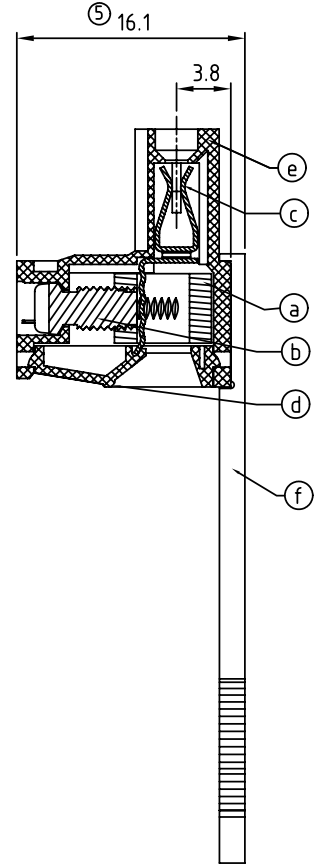
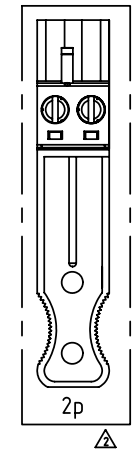
SIGN	DATE	DESCRIPTION	APPROVER
△	2010.02.02	Add the tolerance table	Jacke
△	2010.03.08	Add the 2P mark	Jacke
THIS IS CAD DRAWING, DO NOT REVISE MANUALLY!!!			

**Material**

- Item ① Clamp: Brass(CuZn) Ni plated
- Item ② Terminal screw: Steel Zinc plating "-" slot type
- Item ③ Female contact: PhBz ,Tin plated
- Item ④ Terminal (Cover): Thermoplastic (UL94V-0)
- Item ⑤ Terminal (Body): Thermoplastic (UL94V-0)
- Item ⑥ Handle: Thermoplastic (UL94V-0)

**Electrical cULus/VDE/TUV**

- Voltage rating: 300V/300V/300V
- Current rating: 20A/20A/20A
- Wire range:
- Solid wire(AWG): 12-24
- Stranded wire(AWG): 12-24
- Torque: 5Lb-In/0.5Nm/0.56Nm
- Screw: M3
- Wire strip length: 7-8mm
- Withstanding Voltage: 1.6KV/2.5KV/2.5KV
- Operating temperature: -40°C to +115°C
- Safety Approval:



**TJ xx 71 x 4 xxxx G**

02	2 CONTACTS	0	Black (RAL9005)	000 0	Standard @ Logo	Pb < 40,000ppm
03	3 CONTACTS	2	Red (RAL3001/D)	000 A	Standard ANY Logo (RoHS)	
...	...	3	Orange (RAL2011/P)	Any special item by customer request, please contact sales department.		
24	24 CONTACTS	4	Yellow (RAL1018/A)			
		5	Green (RAL6018/T)			
		6	Blue (RAL5015/A)			
		8	Grey (RAL7035/D)			

拉柄對應P數表

TJ成品P數	拉柄P數
2P-4P	2P
5P-9P	5P
10P-15P	8P
16P-24P	12P

△  
N = Number of poles  
Dim A = N x 5.0  
Dim B = (N-1) x 5.0

	Dim A	Dim B
2-6p	±0.20	±0.15
7-12p	±0.25	±0.20
13-18p	±0.30	±0.25
19-24p	±0.40	±0.30




<b>ANYTEK</b>				<b>CUSTOMER COPY</b>			
ALL RIGHTS RESERVED. REPRODUCTION OR ISSUE TO THIRD PARTIES IN ANY FORM WHATSOEVER IS NOT PERMITTED WITHOUT WRITTEN AUTHORITY FROM THE PROPRIETOR. PROPERTY OF ANYTEK TECHNOLOGY CO., LTD							
TITLE		TJ 5.0mm Series with handle type					
PART NO.		TJxx71x4xxxxG			DWG NO.		8TJ0397
APPROVED	CHECKED	DESIGNED	DRAWN	CUST NO.		Tolerance	
		Jacke	Jacke			UNIT: mm	X. ±0.50
		2010.03.08	2010.02.02			SCALE: NONE	X.X ±0.30
						SHEET: 01/01	X.XX ±0.10

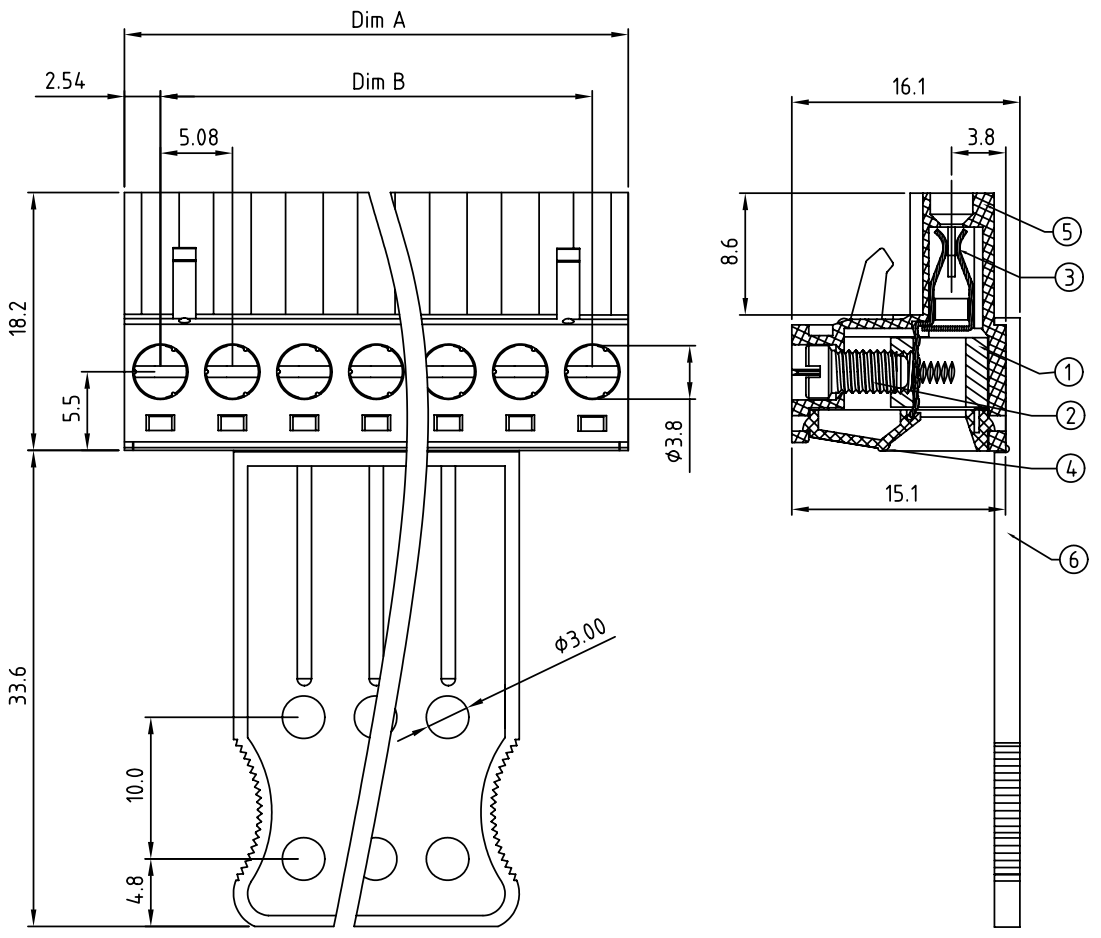
SIGN	DATE	DESCRIPTION	APPROVER
△			
THIS IS CAD DRAWING, DO NOT REVISE MANUALLY!!!			

**Material**

- Item ① Clamp: Brass(CuZn) Ni plated
- Item ② Terminal screw: Steel Zinc plating "-" slot type
- Item ③ Female contact: PhBz ,Tin plated
- Item ④ Terminal (Cover): Thermoplastic (UL94V-0)
- Item ⑤ Terminal (Body): Thermoplastic (UL94V-0)
- Item ⑥ Handle: Thermoplastic (UL94V-0)

**Electrical cULus/VDE/TUV**

- Voltage rating: 300V/300V/300V
- Current rating: 20A/20A/20A
- Wire range:
- Solid wire(AWG): 12-24
- Stranded wire(AWG): 12-24
- Torque: 5Lb-In/0.5Nm/0.56Nm
- Screw: M3
- Wire strip length: 7-8mm
- Withstanding Voltage: 1.6KV/2.5KV/2.5KV
- Operating temperature: -40°C to +115°C
- Safety Approval:   



TJ xx 51 x 4 xxxx G

02	2 CONTACTS	0	Black (RAL9005)	000 0	Standard @ Logo	Pb < 40,000ppm
03	3 CONTACTS	2	Red (RAL3001/D)	000 A	Standard ANY Logo (RoHS)	
...	...	3	Orange (RAL2011/P)	Any special item by customer request, please contact sales department.		
24	24 CONTACTS	4	Yellow (RAL1018/A)			
		5	Green (RAL6018/T)			
		6	Blue (RAL5015/A)			
		8	Grey (RAL7035/D)			

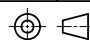
拉柄對應P數表

TJ成品P數	拉柄P數
2P-4P	2P
5P-9P	5P
10P-15P	8P
16P-24P	12P

N = Number of poles

Dim A = N x 5.08  
Dim B = (N-1) x 5.08

	Dim A	Dim B
2-6p	±0.15	±0.10
7-12p	±0.20	±0.20
13-18p	±0.30	±0.25
19-24p	±0.40	±0.30

<b>ANYTEK</b>				<b>CUSTOMER COPY</b>			
ALL RIGHTS RESERVED. REPRODUCTION OR ISSUE TO THIRD PARTIES IN ANY FORM WHATSOEVER IS NOT PERMITTED WITHOUT WRITTEN AUTHORITY FROM THE PROPRIETOR. PROPERTY OF ANYTEK TECHNOLOGY CO., LTD							
TITLE		TJ 5.08mm Series with handle type					
PART NO.		TJxx51x4xxxxG			DWG NO.		8TJ00176
APPROVED		CHECKED		DESIGNED		DRAWN	
				Jacke 2009.04.06		Jacke 2009.04.06	
				CUST NO.		Tolerance	
						UNIT: mm	
						SCALE: NONE	
						SHEET: 01/01	
				REV.: B		X. ±0.50 X.X ±0.30 X.XX ±0.10 X° ±1°	