

拉柄對應P數表

TJ3.81成品P數	TJ3.5拉柄P數
2P-4P	2P
5P-9P	5P
10P-15P	8P
16P-24P	12P

SIGN	DATE	DESCRIPTION	APPROVER
△	2010.07.09	The solid and Stranded wire is changed from16-26 to16-28	Chen Bo
△	2010.07.09	Added VDE standard	Chen Bo

THIS IS CAD DRAWING, DO NOT REVISE MANUALLY!!!

	Dim A	Dim B
2-6p	±0.15	±0.10
7-12p	±0.20	±0.15
13-18p	±0.25	±0.20
19-24p	±0.30	±0.25

N = Number of poles
 Dim A=Nx3.5
 Dim B=(N-1)x3.5

Material

- Item① Clamp: Brass(CuZn) Ni plated
- Item② Terminal screw: Steel Zinc plating "--" slot type
- Item③ Female contact: PhBz ,Tin plated
- Item④ Terminal (Cover): Thermoplastic (UL94V-0)
- Item⑤ Terminal (Body): Thermoplastic (UL94V-0)
- Item⑥ Handle: Thermoplastic (UL94V-0)

Electrical cULus/VDE △

- Voltage rating: 300VAC/300VAC
- Current rating: 10A/10.5A
- Wire range: 1.5mm²
- △ ● Solid wire(AWG): 16-28/16-28
- Stranded wire(AWG): 16-28/16-28
- Torque: 3Lb-In/0.2Nm
- Screw: M2
- Wire strip length: 6-7mm
- Withstanding Voltage: 1.6KV/2.5KV
- Operating temperature: -40°C to +115°C
- Safety Approval:

TJ xx 11 x 4 xxxx G

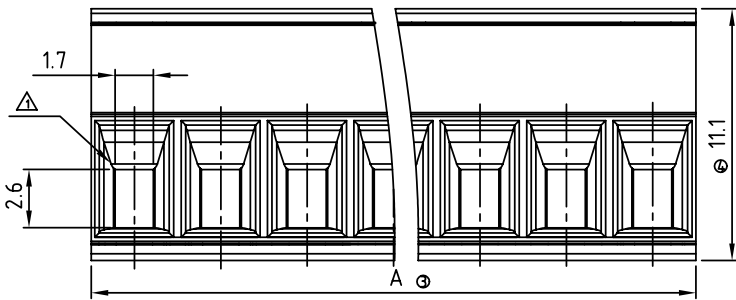
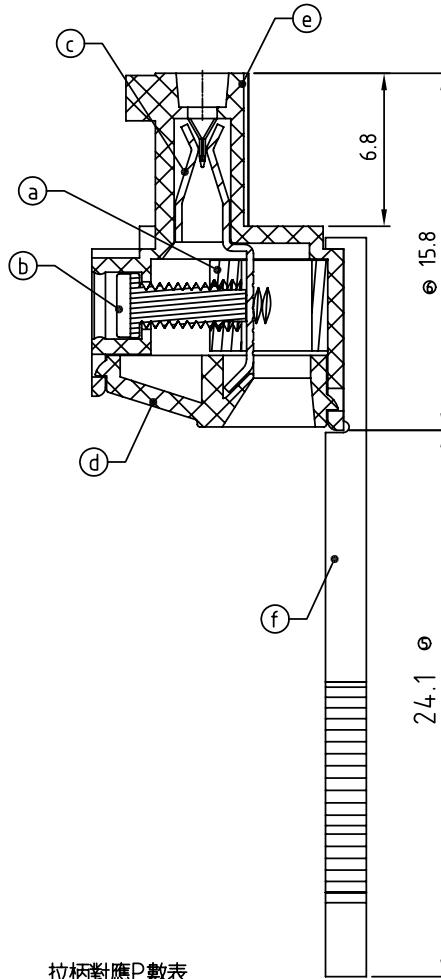
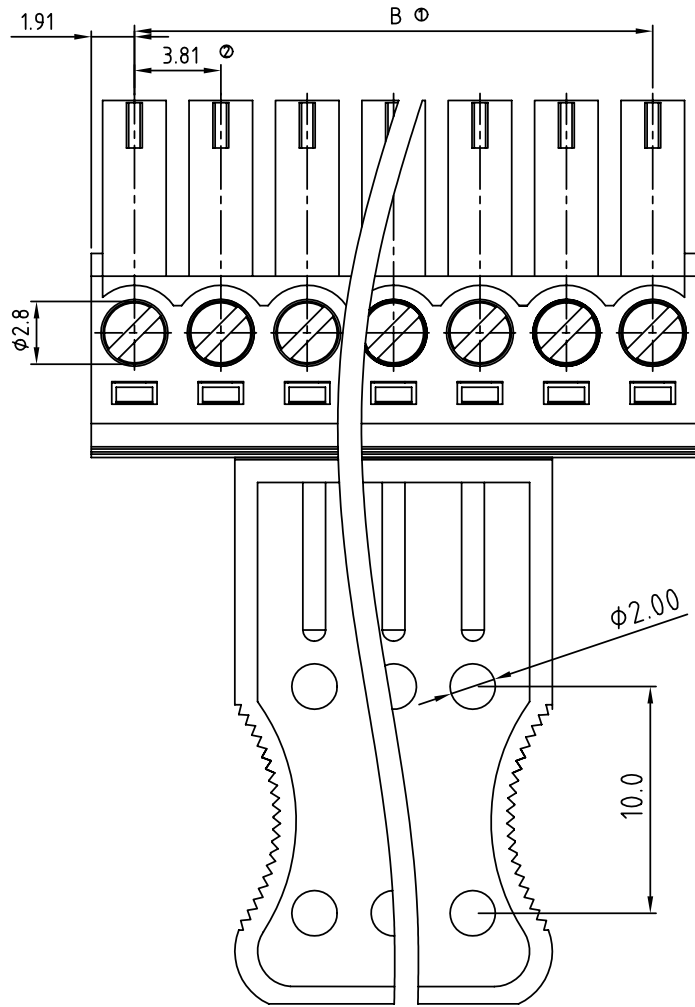
CONTACTS	COLOR	LOGO	RoHS
02 2 CONTACTS	0 Black (RAL9005)	0000 Standard @ Logo	Pb < 40,000ppm
03 3 CONTACTS	2 Red (RAL3001/D)	000A Standard ANY Logo	(RoHS)
...	3 Orange(RAL2011/P)	0091 Standard ANY Logo	
24 24 CONTACTS	4 Yellow(RAL1018/A)	Any special item by customer request, please contact sales department.	
	5 Green(RAL6018/T)		
	6 Blue (RAL5015/A)		
	8 Grey(RAL7035/D)		

ANYTEK

CUSTOMER COPY

ALL RIGHTS RESERVED. REPRODUCTION OR ISSUE TO THIRD PARTIES IN ANY FORM WHATSOEVER IS NOT PERMITTED WITHOUT WRITTEN AUTHORITY FROM THE PROPRIETOR. PROPERTY OF ANYTEK TECHNOLOGY CO., LTD

TITLE		TJ-3.5mm Series with handle		
PART NO.	TJxx11x4xxxxG	DWG NO.	8TJ0547	
APPROVED	CHECKED	DESIGNED	DRAWN	CUST NO.
			Chen Bo 2010.07.09	
				Tolerance
				X. ±0.50
				X.X ±0.30
				X.XX ±0.10
				X° ±1°
SHEET: 01/01				UNIT: mm
				SCALE: NONE
				REV.: C



拉柄對應P數表

TJ3.81成品P數	TJ3.5拉柄P數
2P-4P	2P
5P-9P	5P
10P-15P	8P
16P-24P	12P

N = Number of poles
 Dim A = N x 3.81
 Dim B = (N-1) x 3.81

	Dim A	Dim B
2-6p	±0.15	±0.10
7-12p	±0.20	±0.15
13-18p	±0.25	±0.20
19-24p	±0.30	±0.25

SIGN	DATE	DESCRIPTION	APPROVER
△	12/04'08	The wire entry hole was changed.	Jacke
△	12/04'08	Electrical standard changed.	Jacke
△	12/04'08	Add the tolerance table	Jacke
△	2010.07.12	The solid and Stranded wire is changed from 16-26 to 16-28	Chen Bo
△	2010.07.12	Remove the CSA mark	Chen Bo

THIS IS CAD DRAWING, DO NOT REVISE MANUALLY!!!

Material

- Item (a) Clamp: Brass (CuZn) Ni plated
- Item (b) Terminal screw: Steel Zinc plating "-" slot type
- Item (c) Female contact: PhBz, Tin plated
- Item (d) Terminal (Cover): Thermoplastic (UL94V-0)
- Item (e) Terminal (Body): Thermoplastic (UL94V-0)
- Item (f) Handle: Thermoplastic (UL94V-0)

△ Electrical cULus/VDE

- Voltage rating: 300VAC/300VAC
- Current rating: 10A/10.5A
- Wire range: 1.5mm²
- △ ● Solid wire (AWG): 16-28/16-28
- Stranded wire (AWG): 16-28/16-28
- Torque: 3Lb-In/0.2Nm
- Screw: M2
- Wire strip length: 6-7mm
- Withstanding Voltage: 1.6KV/2.5KV
- Operating temperature: -40°C to +115°C
- △ ● Safety Approval:

TJ xx 31 x 4 xxxx G

- 02 2 CONTACTS
 - 03 3 CONTACTS
 -
 - 24 24 CONTACTS
- 0 Black (RAL9005)
 - 2 Red (RAL3001/D)
 - 3 Orange (RAL2011/P)
 - 4 Yellow (RAL1018/A)
 - 5 Green (RAL6018/T)
 - 6 Blue (RAL5015/A)
 - 8 Grey (RAL7035/D)
- Pb < 40,000ppm (RoHS)
 - 000 0 Standard @ Logo
 - 000 A Standard ANY Logo
 - Any special item by customer request, please contact sales department.

ANYTEK

CUSTOMER COPY

ALL RIGHTS RESERVED. REPRODUCTION OR ISSUE TO THIRD PARTIES IN ANY FORM WHATSOEVER IS NOT PERMITTED WITHOUT WRITTEN AUTHORITY FROM THE PROPRIETOR. PROPERTY OF ANYTEK TECHNOLOGY CO., LTD

TITLE				TJ-3.81mm Series With handle			
PART NO.		TJxx31x4-xxxxG		DWG NO.		8TJ0653	
APPROVED	CHECKED	DESIGNED	DRAWN	CUST NO.		Tolerance	
			Chen Bo 2010.07.12			UNIT: mm	X. ±0.50
						SHEET: 01/01	SCALE: NONE
					REV: D	X.XX ±0.10	X° ±1°