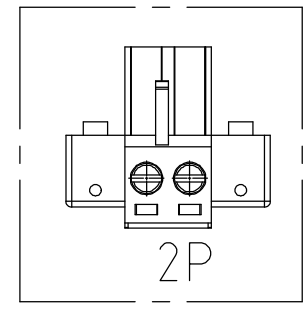
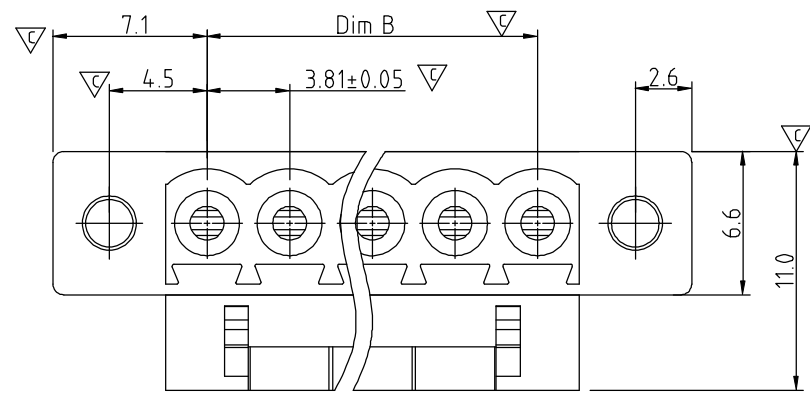


SIGN	DATE	DESCRIPTION	APPROVER
△	6/03'09	Add the tolerance table	Jacke
△	6/03'09	The operating temperature is changed	Jacke
△	6/10'14	update the drawing	Ji long

THIS IS CAD DRAWING, DO NOT REVISE MANUALLY!!!



△ Material

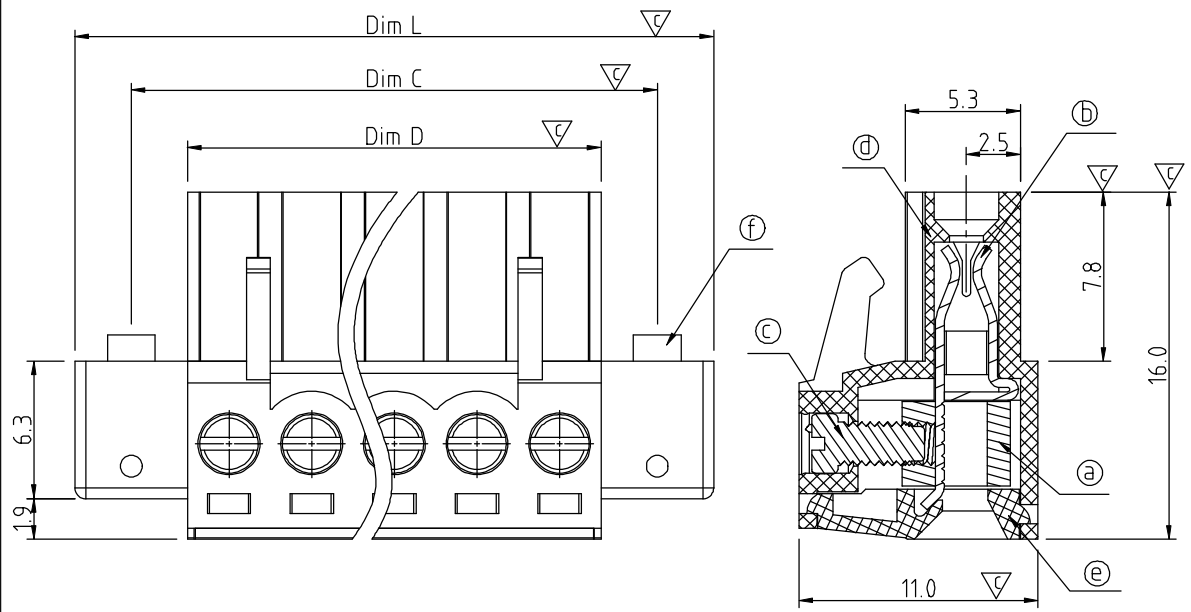
- Item a Clamp: Brass (CuZn) Ni plated
- Item b Female contact :PhBz(CuSn) Tin plated
- Item c Terminal screw:Steel Zinc plating"-slot type
- Item d Terminal (housing):Thermoplastic (UL94V-0)
- Item e Terminal cover:Thermoplastic (UL94V-0)
- Item f With flange screw: Steel Zinc plating "+/-slot type M2.5

Electrical cULus

- Voltage rating:300V
- Current rating:8A
- Wire range:
- Solid wire(AWG):16-28
- Stranded wire(AWG):16-28
- Torque(Lb-In):1.7
- Screw:M2
- Wire strip length:6-7mm
- Withstanding Voltage:1.6KV
- Operating temperature:-40°C to +115°C
- Safety Approval:

VD xx 31 x 2 xxxx G

△ Solid Block		G RoHS compliant (lead<4%) In copper Alloy
02 2 POLES		
03 3 POLES		
...		
24 24 POLES		
0 Black (RAL9005)		0000 Standard @ Logo
2 Red (RAL3001/D)		000A Standard ANY Logo
3 Orange(RAL2011/P)		0091 Standard ANY Logo
4 Yellow(RAL1018/A)		Any special item by customer request, please contact sales department.
5 Green(RAL6018/T)		
6 Blue (RAL5015/A)		
8 Grey(RAL7035/D)		
9 White(RAL1102)		
C Green(RAL6018/U)		



N=Number of contacts
 Dim L=NX3.81+10.4
 Dim B=(N-1)X3.81
 Dim C=(N-1)x3.81+9.0
 Dim D=Nx3.81

	Dim L	Dim B	Dim C	Dim D
2P-5p	±0.15	±0.15	±0.15	±0.15
6P-10p	±0.20	±0.20	±0.20	±0.20
11P-15p	±0.25	±0.25	±0.25	±0.25
16P-20p	±0.30	±0.30	±0.30	±0.30
21P-24p	±0.35	±0.35	±0.35	±0.35

△ 1 △ 3

ANYTEK		CUSTOMER COPY		ALL RIGHTS RESERVED. REPRODUCTION OR ISSUE TO THIRD PARTIES IN ANY FORM WHATEVER IS NOT PERMITTED WITHOUT WRITTEN AUTHORITY FROM THE PROPRIETOR. PROPERTY OF ANYTEK TECHNOLOGY CO., LTD			
				TITLE: VD-3.81 SERIES (with flange)		PART NO.: VDxx31x2xxxxG	
APPROVED	CHECKED	DESIGNED	DRAWN	CUST NO.	Tolerance		
			Ji long 2014.06.10		UNIT: mm	X.	±0.50
					SCALE: NONE	X.X	±0.30
					SHEET: 01/01	X.XX	±0.10
					REV.: E	X°	±1°