

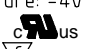
SIGN	DATE	DESCRIPTION	APPROVER
△	2010.06.21	The design is changed	Chen Bo
△	2010.09.01	Add UL standard	Chen Bo

**THIS IS CAD DRAWING, DO NOT REVISE MANUALLY!!!**

**Material**

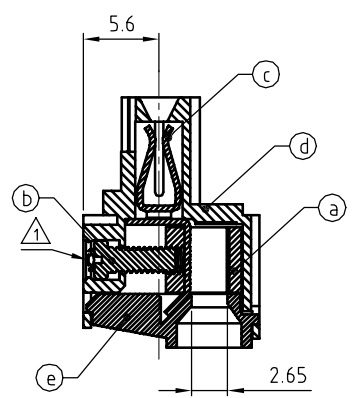
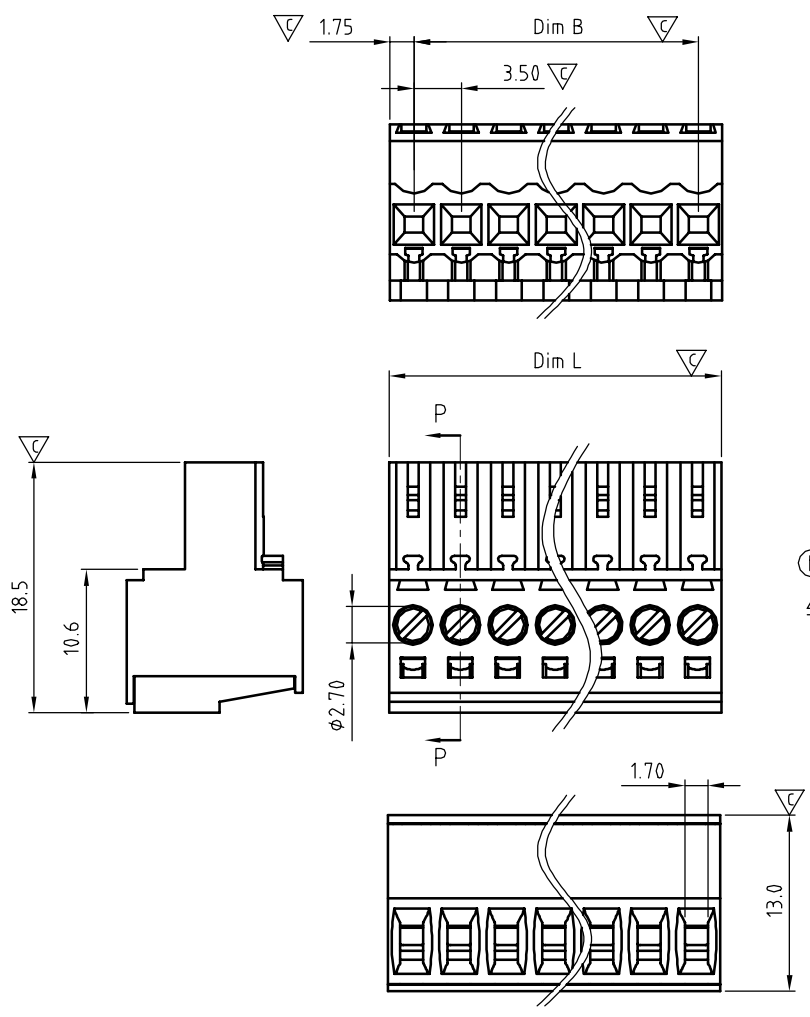
- Item a Clamp: Brass(CuZn),Ni plated
- Item b Terminal screw: Steel Zinc plating "-" slot type
- Item c Female contact: PhBz ,Tin plated
- Item d Terminal Body: Thermoplastic (UL94V-0)
- Item e Terminal Cover: Thermoplastic (UL94V-0)

**Electrical cULus**

- Voltage rating: 300VAC
- Current rating: 10A
- Wire range:
- Solid wire(AWG): 14-28
- Stranded wire(AWG): 14-28
- Torque: 1.7Lb-In
- Screw: M2
- Wire strip length: 6-7mm
- Withstanding Voltage: 1.6KV
- Operating temperature: -40°C to +115°C
- Safety Approval: 
- Critical dimension: ∇

**E2 xx 11 x 0 xxxx G**

- |                |                     |                                                                        |
|----------------|---------------------|------------------------------------------------------------------------|
| Solid Block    |                     | G RoHS compliant (lead<4%) In copper Alloy                             |
| 02 2 CONTACTS  |                     | 0000 Standard @ Logo                                                   |
| 03 3 CONTACTS  |                     | 000A Standard ANY Logo                                                 |
| ...            |                     | Any special item by customer request, please contact sales department. |
| 24 24 CONTACTS | 0 Black (RAL9005)   |                                                                        |
|                | 2 Red (RAL3001/D)   |                                                                        |
|                | 3 Orange(RAL2011/P) |                                                                        |
|                | 4 Yellow(RAL1018/A) |                                                                        |
|                | 5 Green(RAL6018/T)  |                                                                        |
|                | 6 Blue (RAL5015/A)  |                                                                        |
|                | 8 Grey(RAL7035/D)   |                                                                        |
|                | 9 White(RAL1102)    |                                                                        |
|                | C Green(RAL6018/U)  |                                                                        |



**SECTION P-P**

N = Number of poles  
 Dim L=Nx3.5  
 Dim B=(N-1)x3.5

	Dim L	Dim B
2-6p	±0.15	±0.15
7-12p	±0.20	±0.20
13-18p	±0.25	±0.25
19-24p	±0.30	±0.30

<b>ANYTEK</b>				<b>CUSTOMER COPY</b>				
								ALL RIGHTS RESERVED. REPRODUCTION OR ISSUE TO THIRD PARTIES IN ANY FORM WHATSOEVER IS NOT PERMITTED WITHOUT WRITTEN AUTHORITY FROM THE PROPRIETOR. PROPERTY OF ANYTEK TECHNOLOGY CO., LTD
TITLE		E2 3.5 SERIES Without flange						
PART NO.		E2xx11x0xxxxG			DWG NO.		8E20001	
APPROVED		CHEN BO	CHEN BO	CUST NO.		Tolerance		
		05/02'13	05/02'13			X. ±0.50		
				SHEET: 01/01		X.X ±0.30		
				REV.: C		X.XX ±0.10		
						X° ±1°		